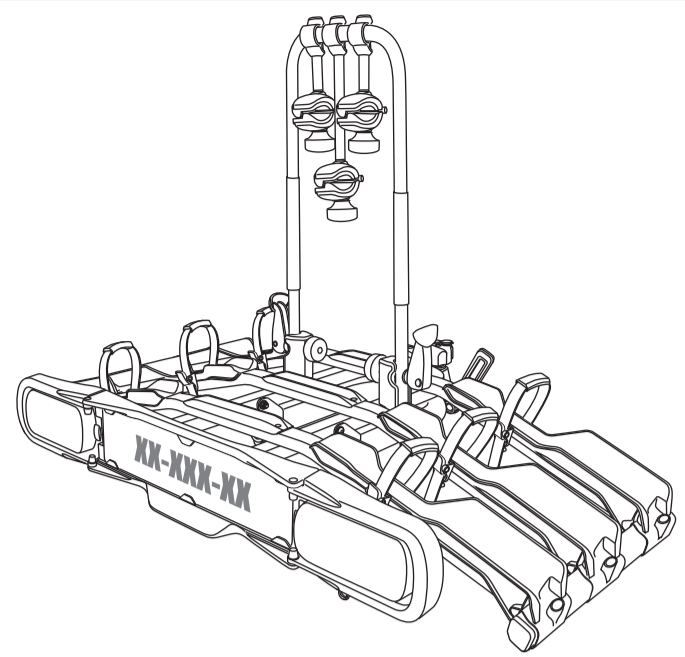


BUZZ RACK

E-HORNET 3



Max		
50 kg		30.3 kg
60 kg	19.7 kg	40.3 kg
70 kg		50.3 kg
>80 kg		MAX 60 kg



MAX 60 kg
MAX 132 lbs

94-3502-143-10-X2/20240410

MAX 60KG

MAX 60 kg (3x20kg)
E-Bike MAX 60 kg (2x30kg)

Max 4"

Wheel base

26" Tire diameter	29" Tire diameter
MAX 138cm(54.25")	MAX 140cm(55")

ACCESSORIES (NOT INCLUDED)

E-RAMP Alu # 47-0116-002-10

E-RAMP steel # 47-0116-003-10

E-RAMP Pro # 47-0116-006-10

CONNECTOR # 47-0100-042-10

ANTI-SWAY # 47-0100-045-10

13-pin
13 to 7pin

7-pin

Tool

x1 x1

x2 x1

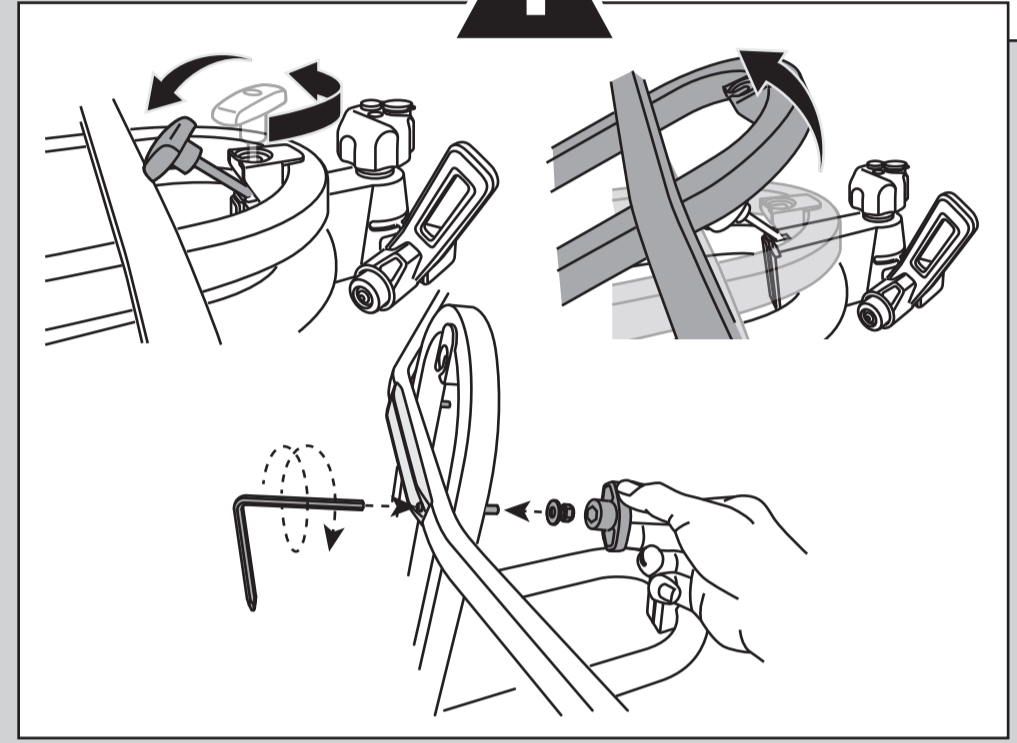
•4.0 •5.0

STEP 2.

x6 M6x70mm

x3 x12 Ø6.5xØ13

x6 M6x1.0

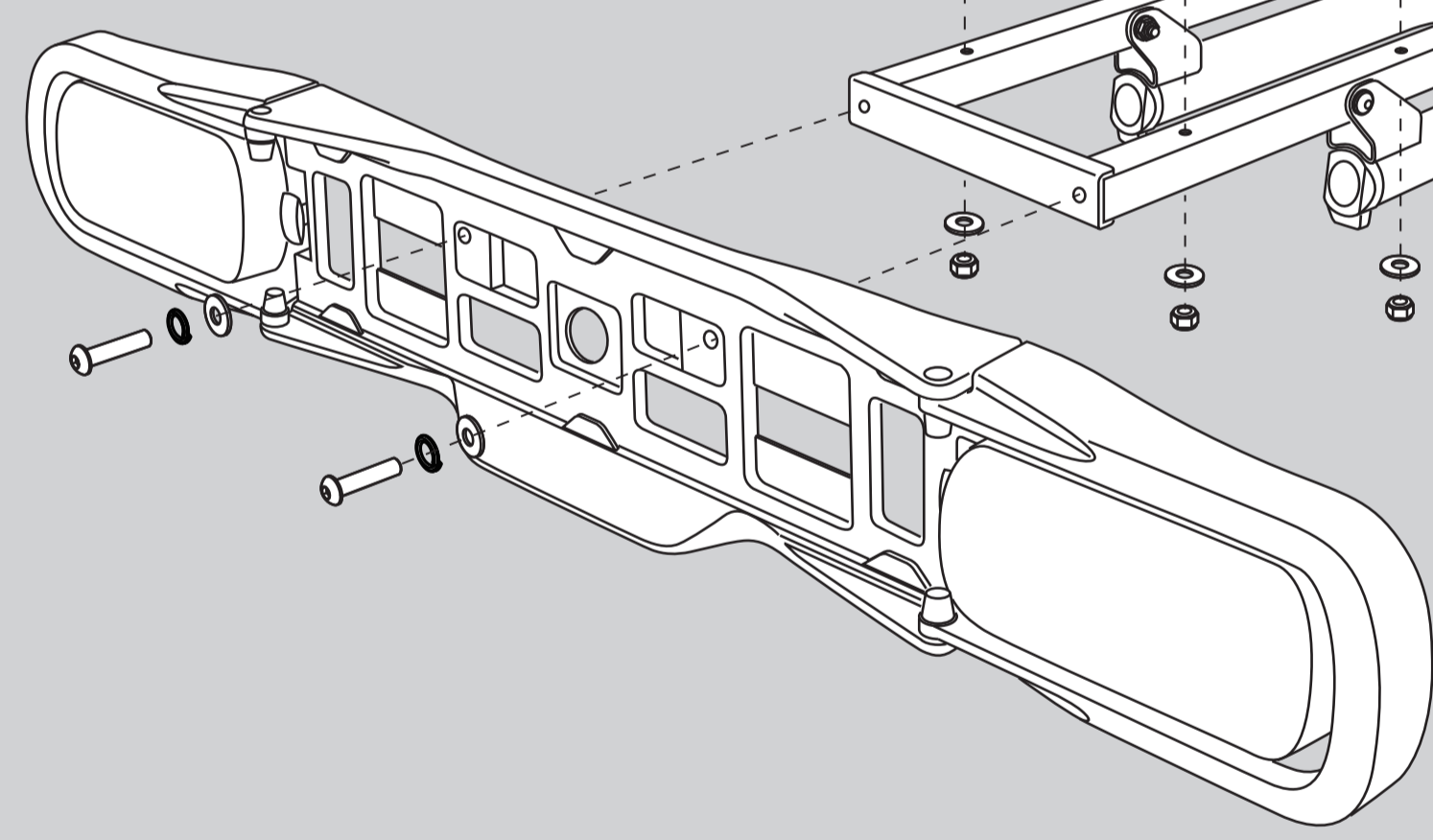


STEP 5.

x2 M6x25mm

x2 M6

x2 Ø6.5xØ13



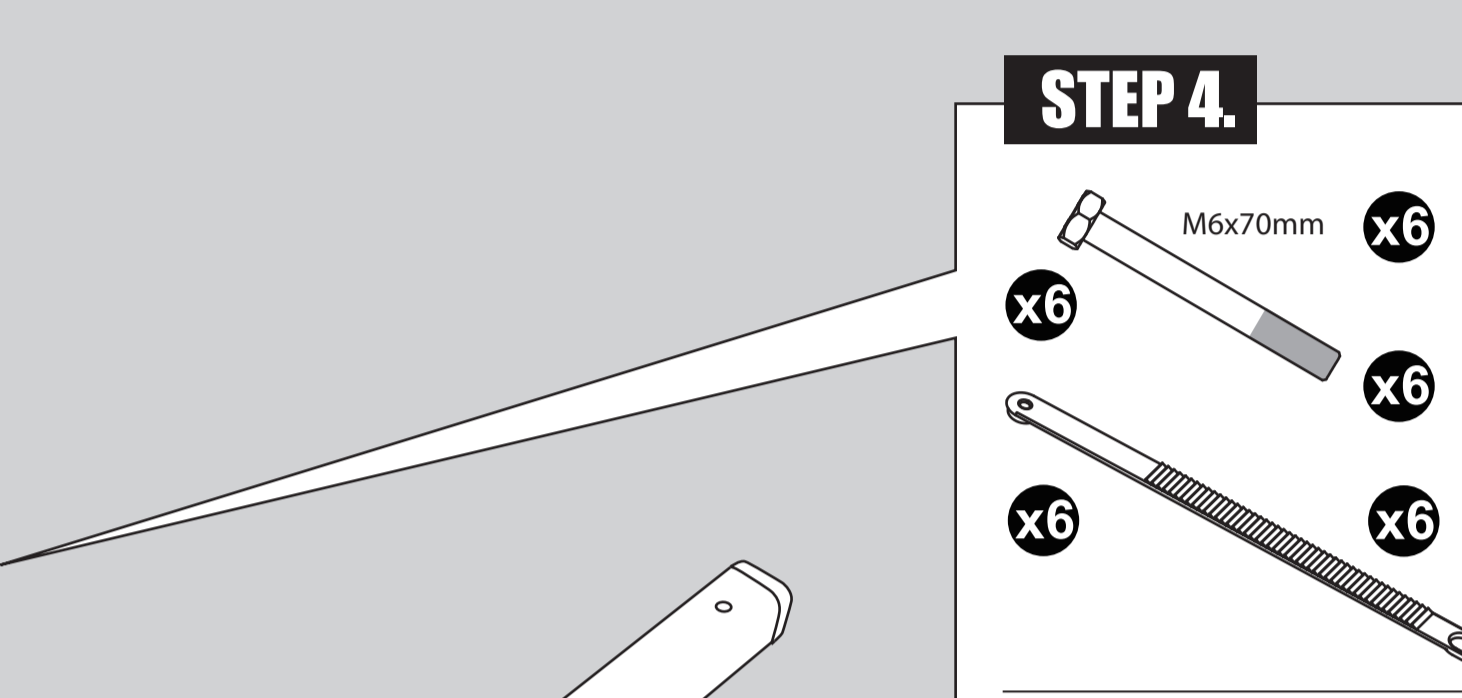
STEP 3.

x2 x2 Ø6.5xØ16

x2 x2

L&R

x5.0



STEP 4.

x6 M6x70mm

x6 x6

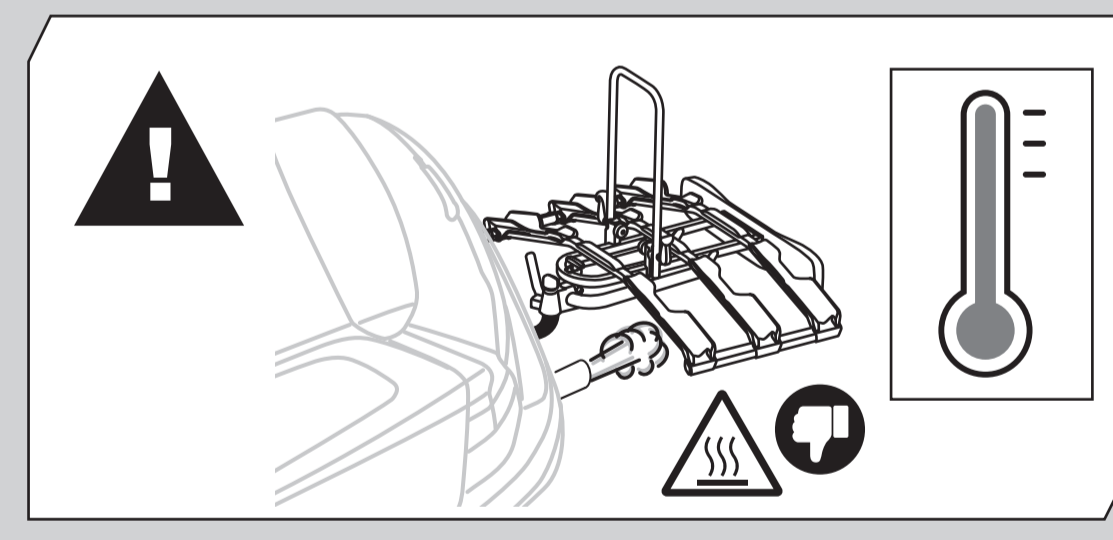
x6 x6

L&R

STEP 1.

x6

x2



STEP 6.

1

2

3

4

5 5Nm

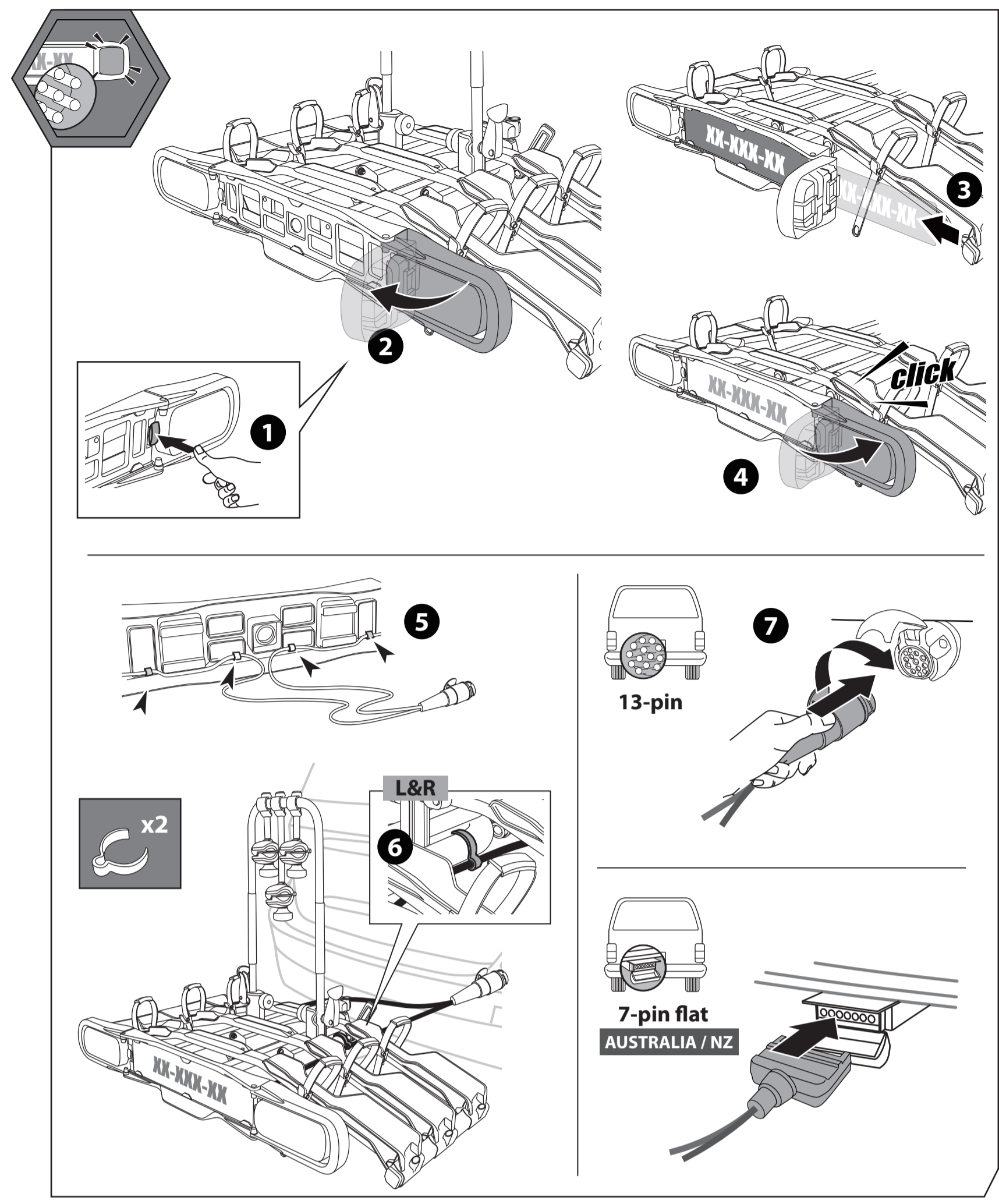
6 MAX 37.5Kg (82.5Lbs) 4 3/4" (12cm)

CHECK!

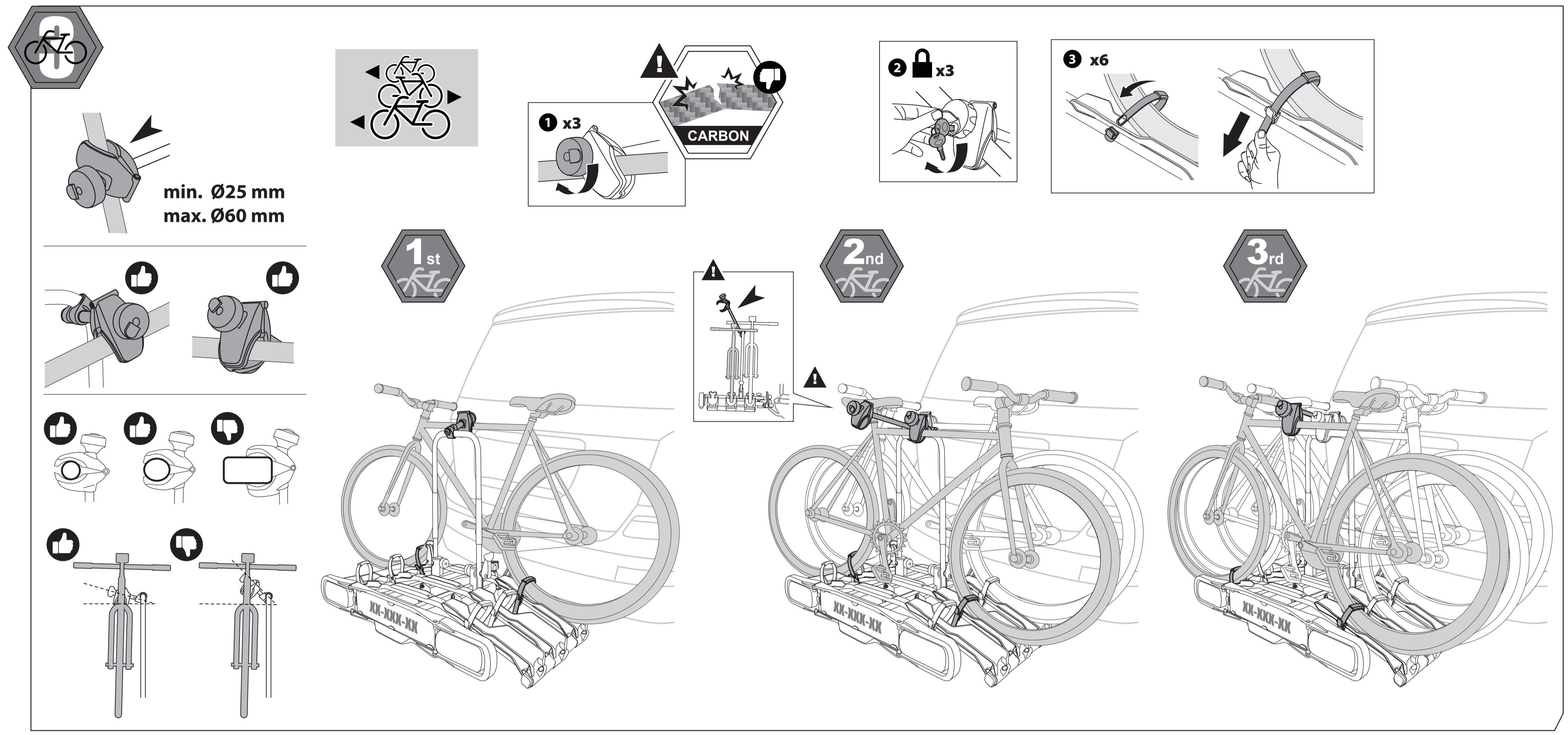
7

maintenance

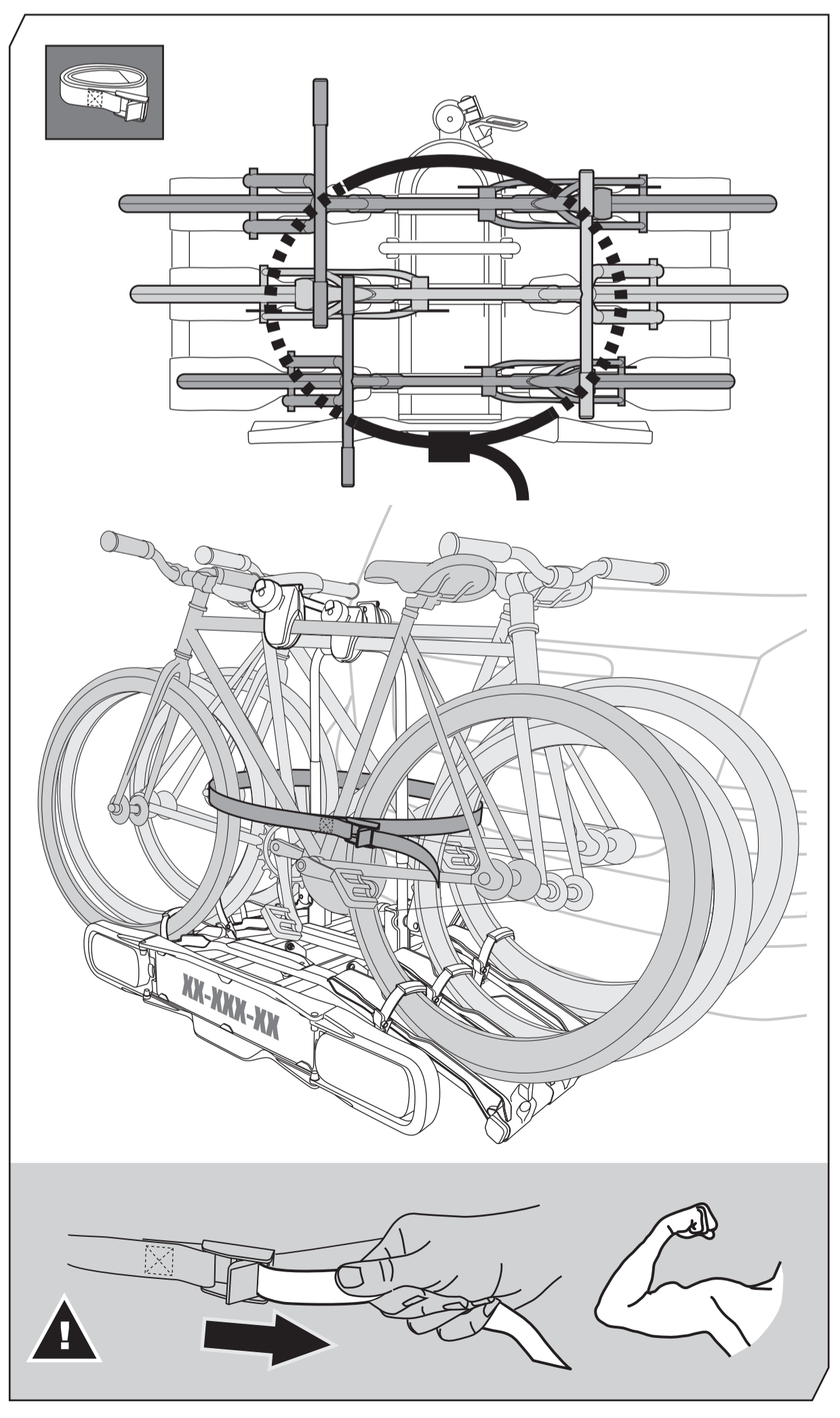
STEP 7.



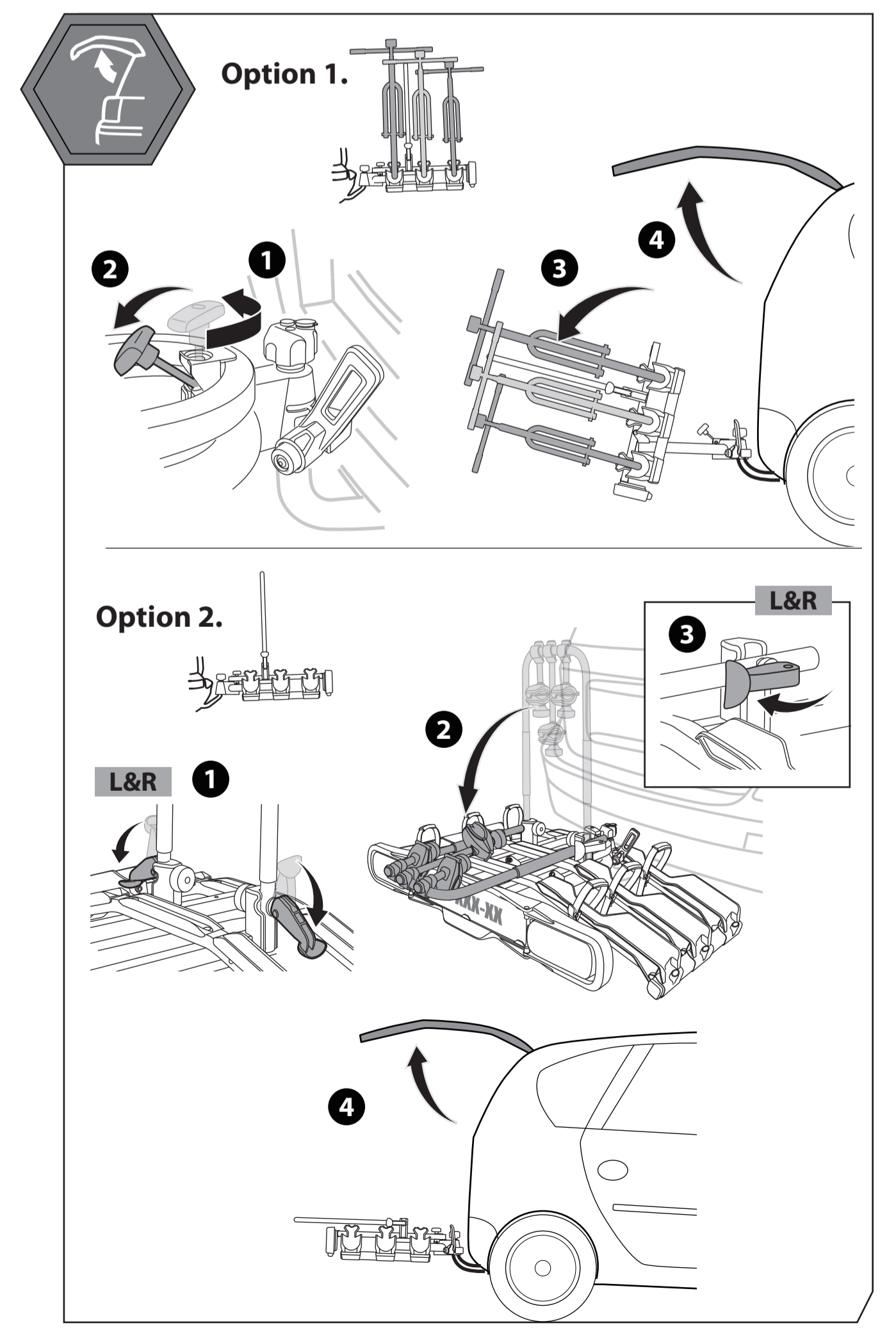
STEP 8.



STEP 9.



STEP 10.



STEP 11.

