

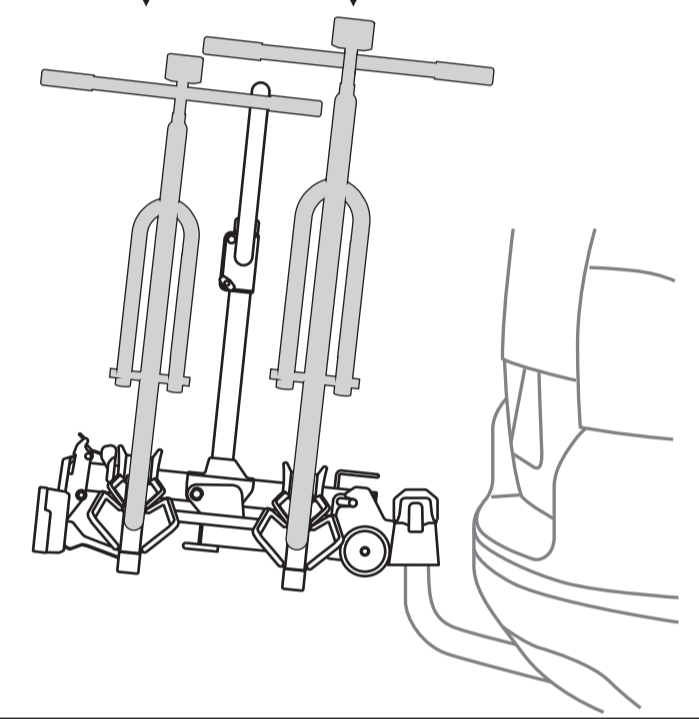
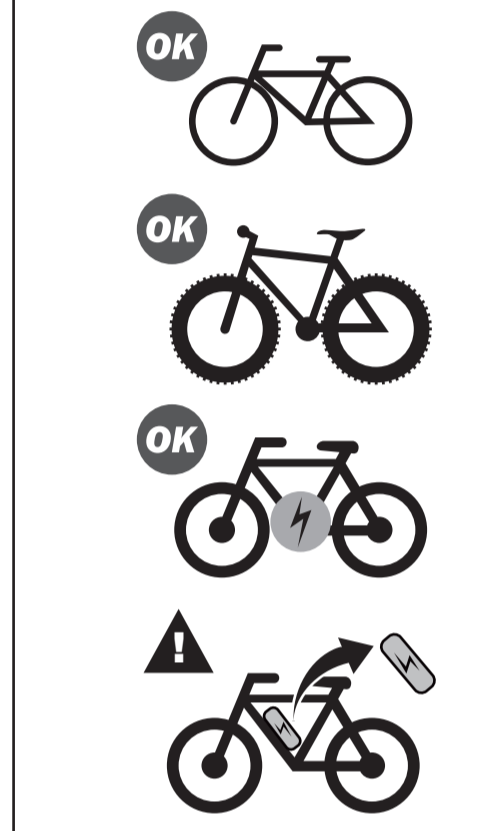
# BUZZ RACK

## E-SCORPION XL

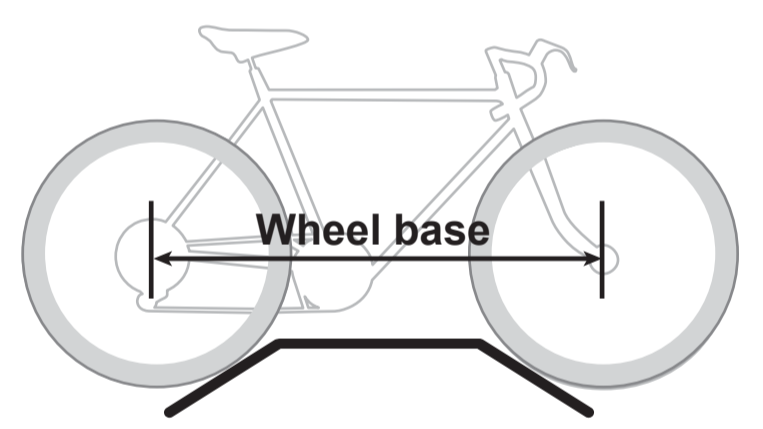
Max		
50 kg		29.2 kg
60 kg		39.2 kg
70 kg	20.8 kg	49.2 kg
80 kg		59.2 kg
>85 kg		MAX 60 kg

>65mm	ISO 50mm	FAT-BIKE	13	2
Made in Taiwan				
			20.8	MAX 2x30kg MAX 2x66lbs

**MAX 60KG**

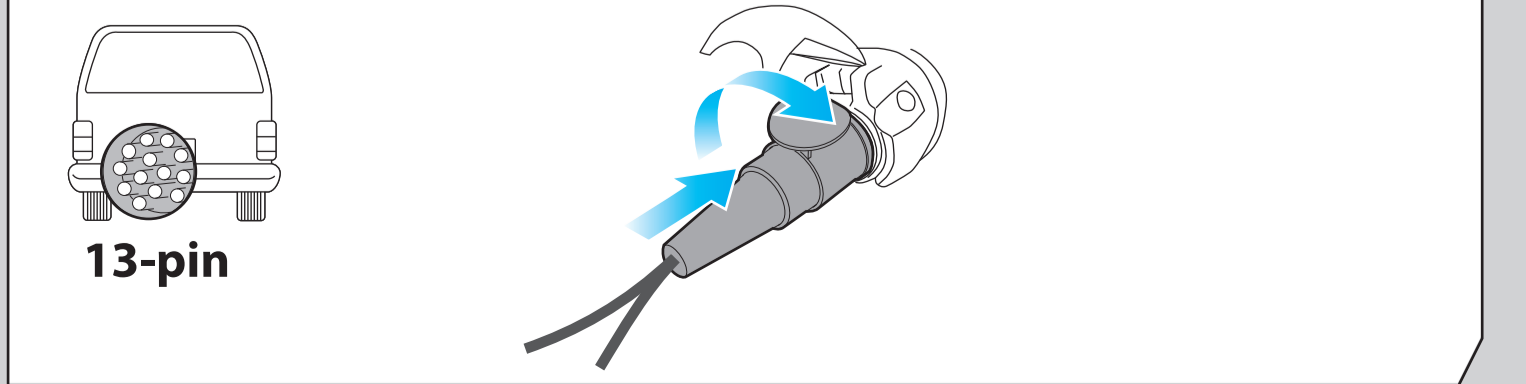
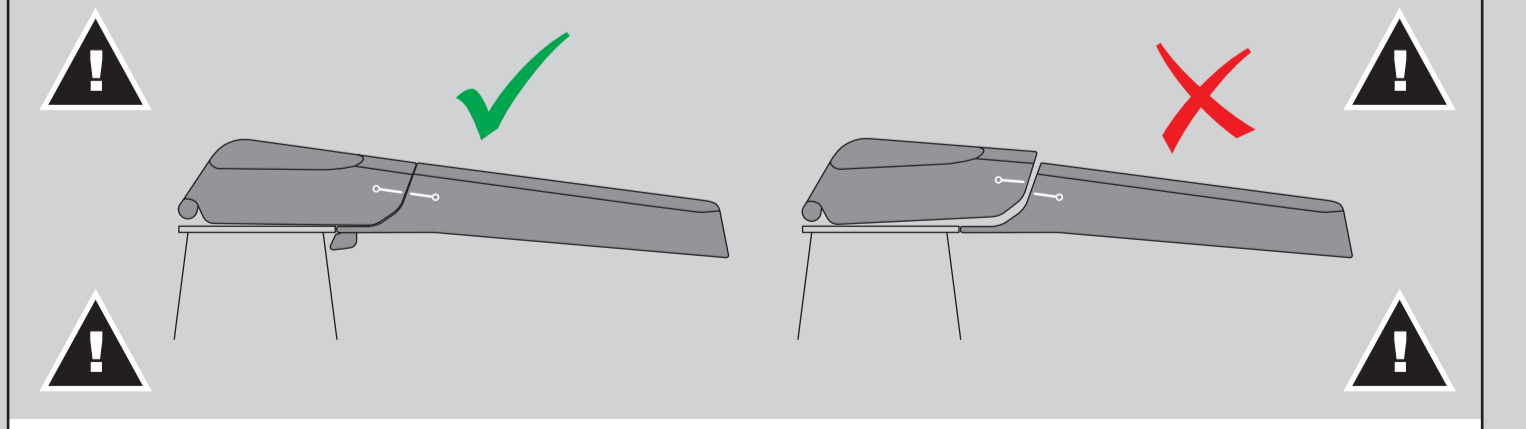
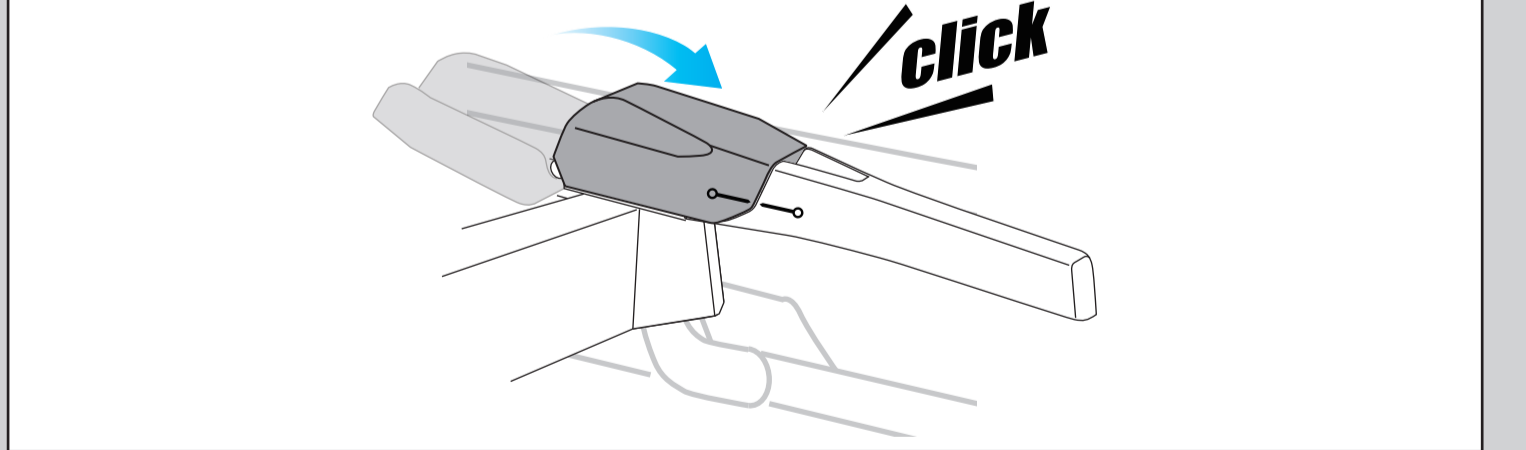
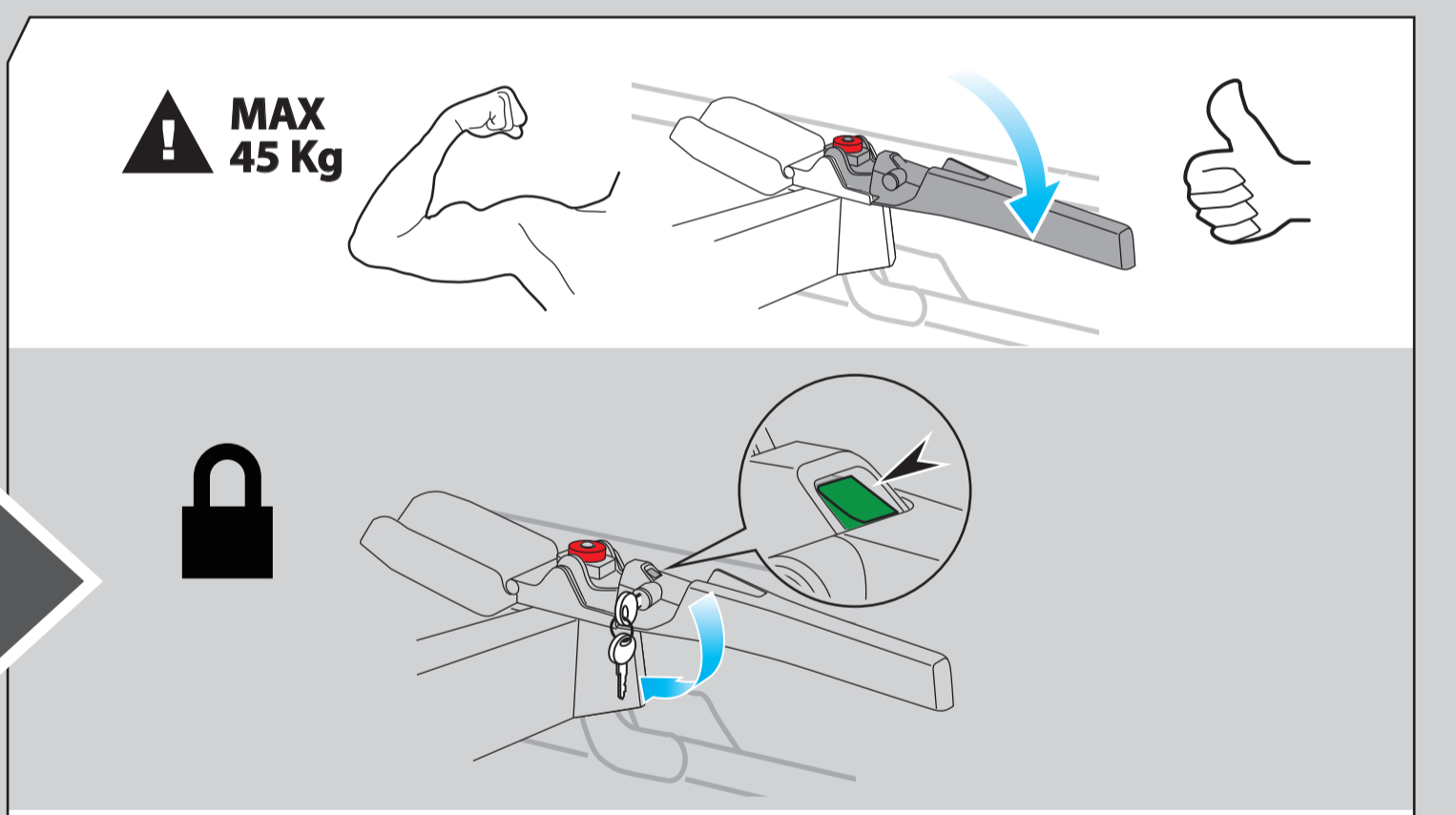
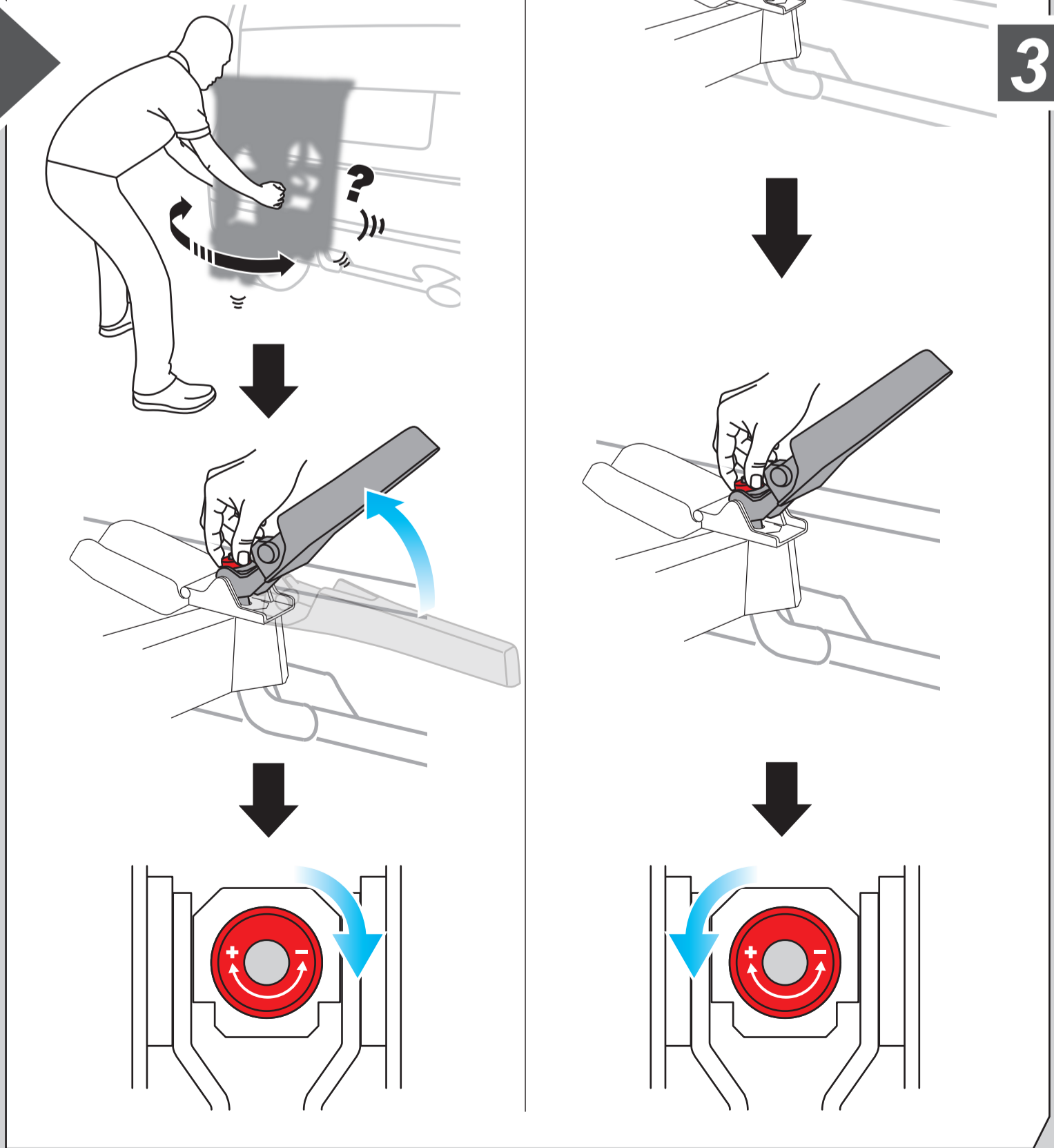
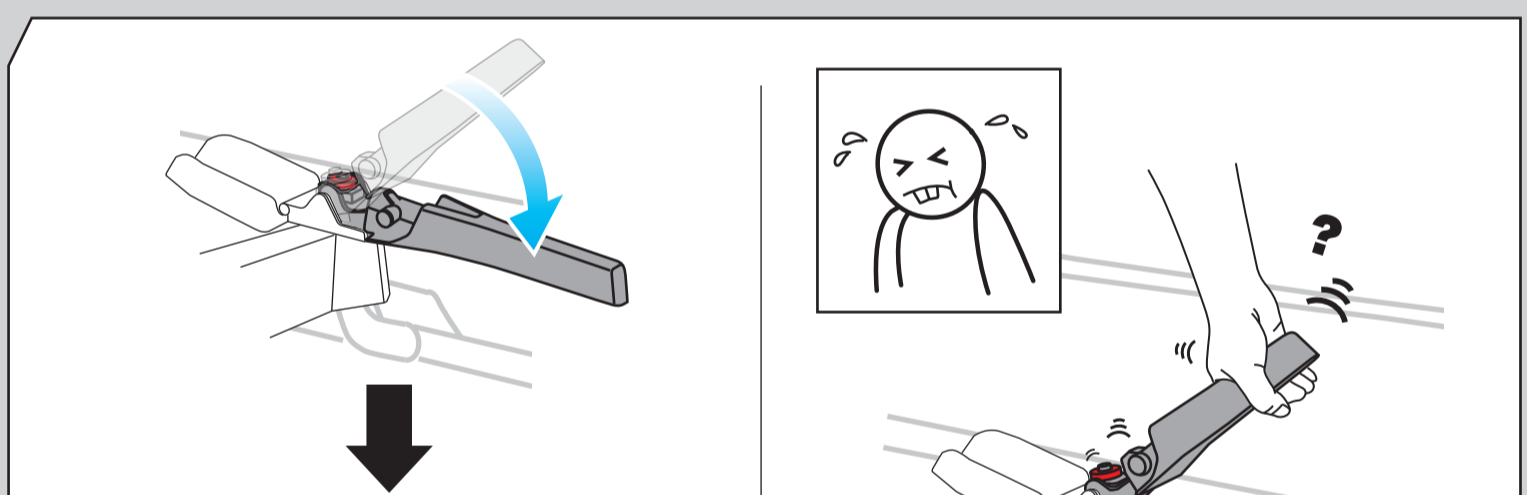
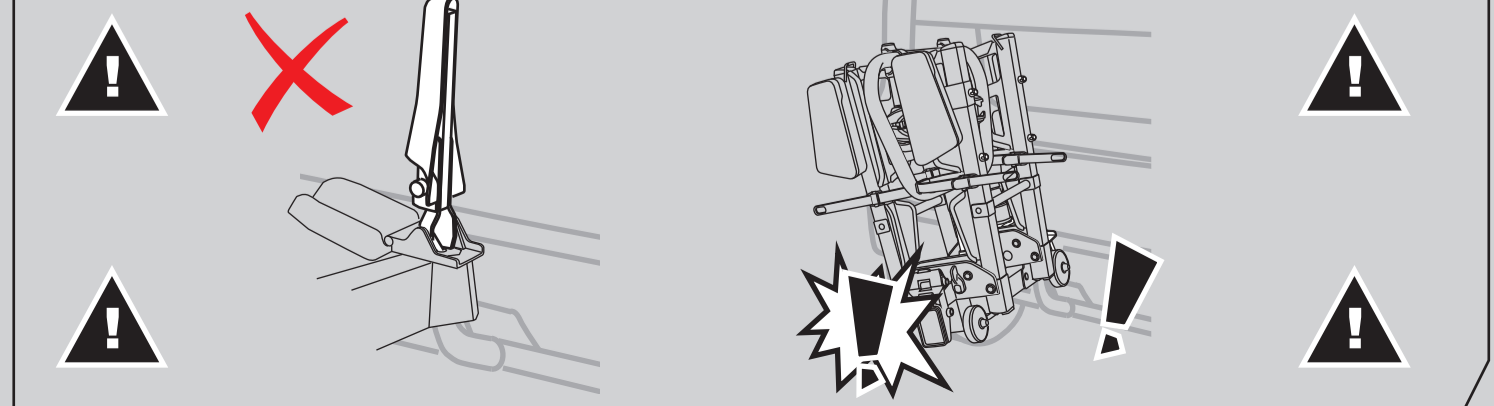
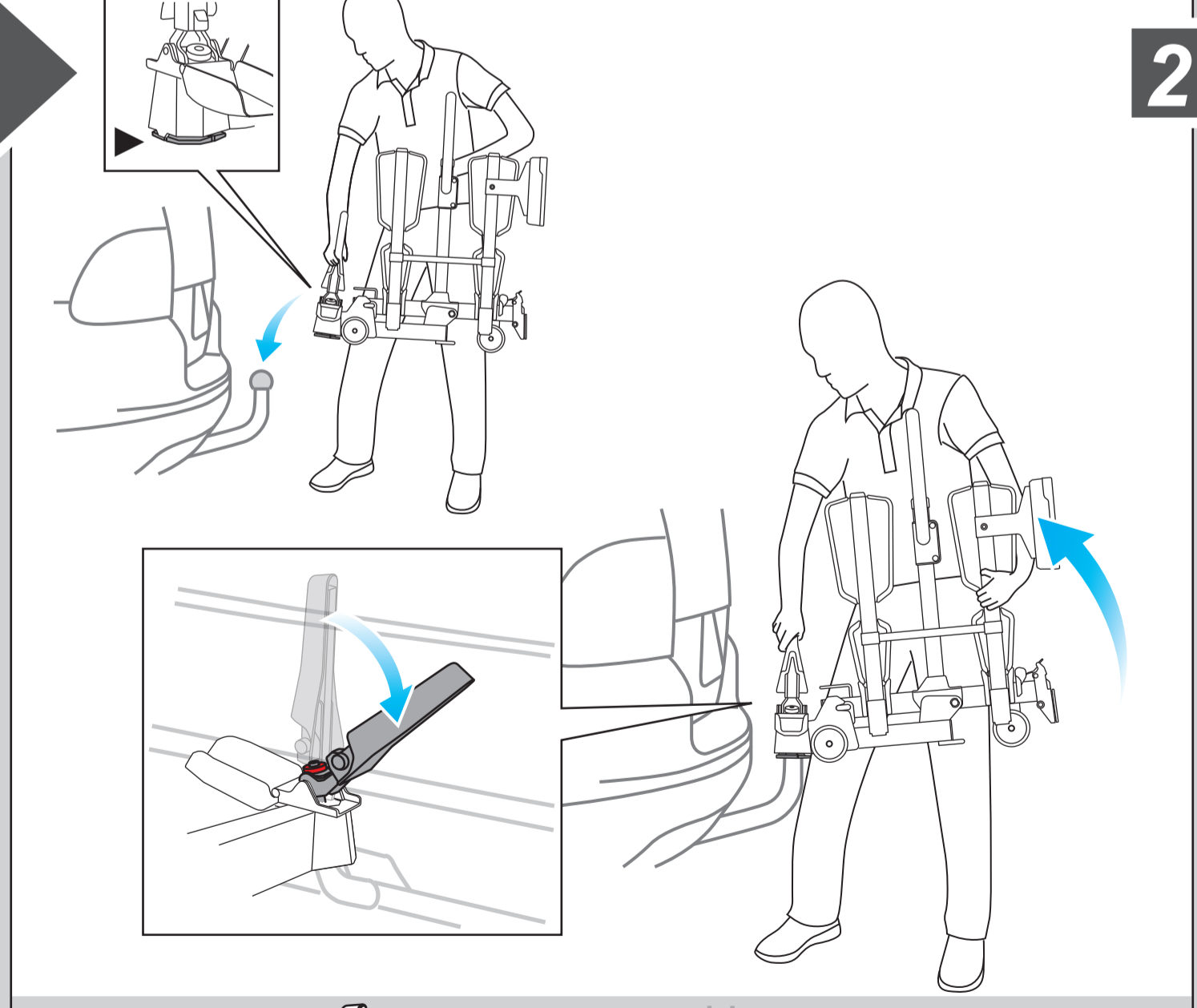
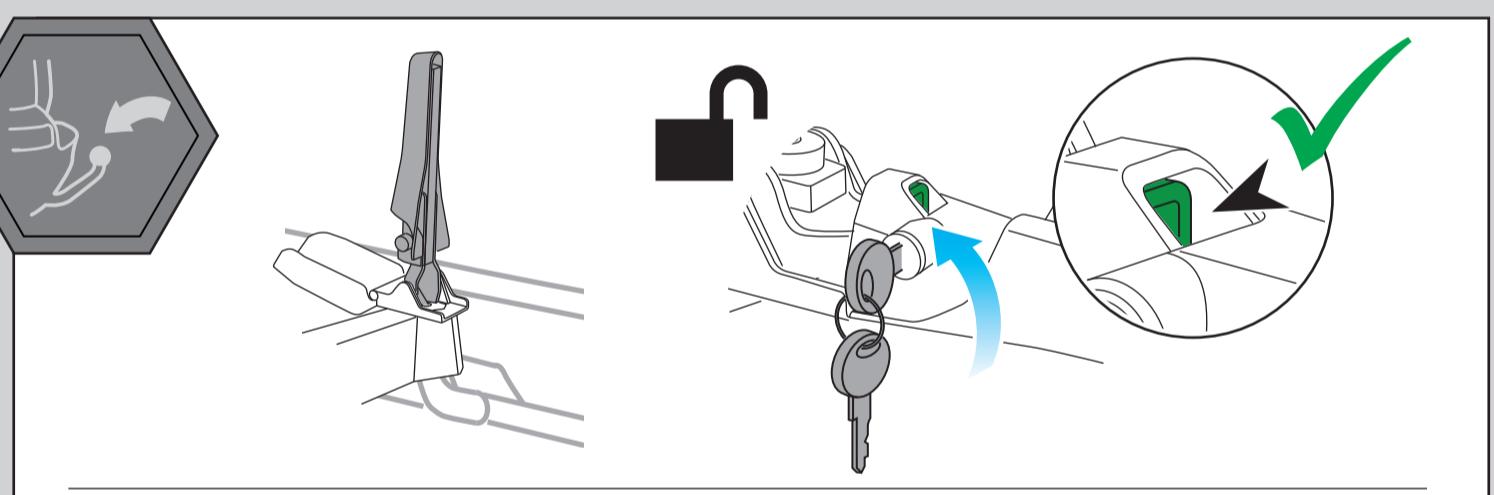
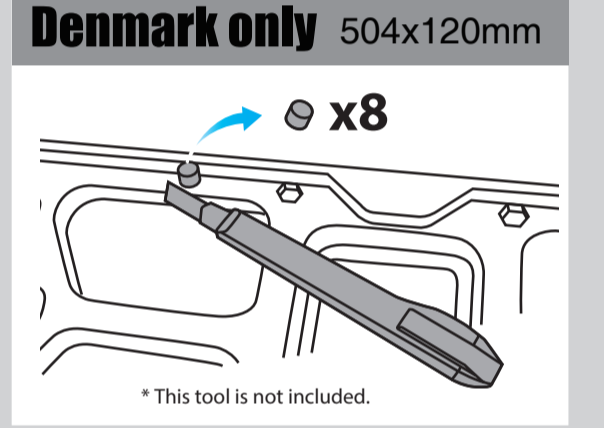
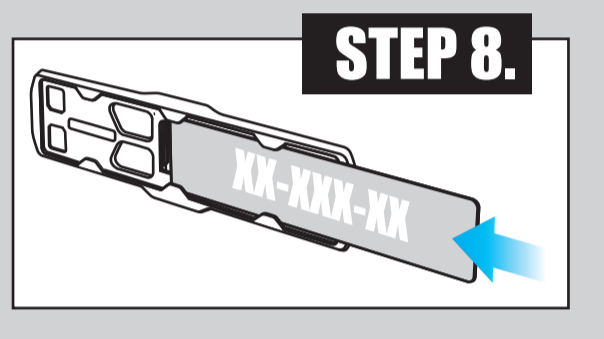
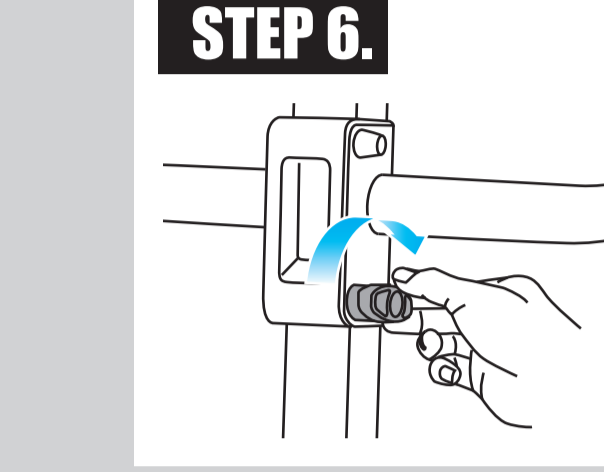
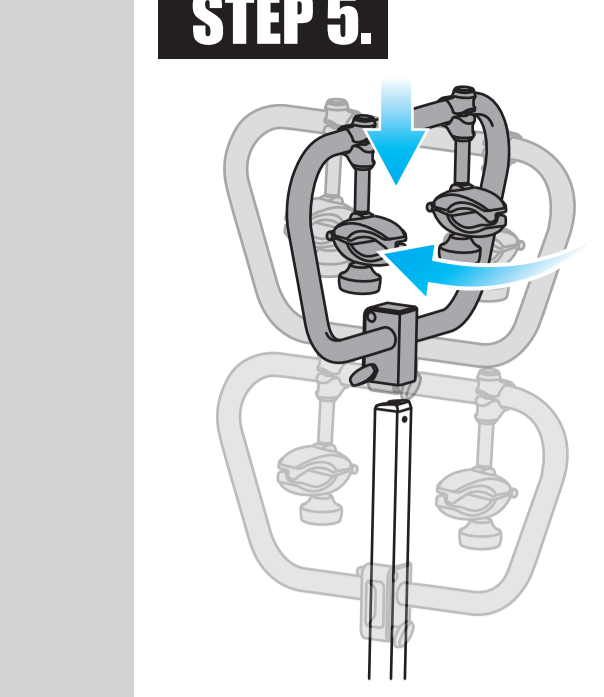
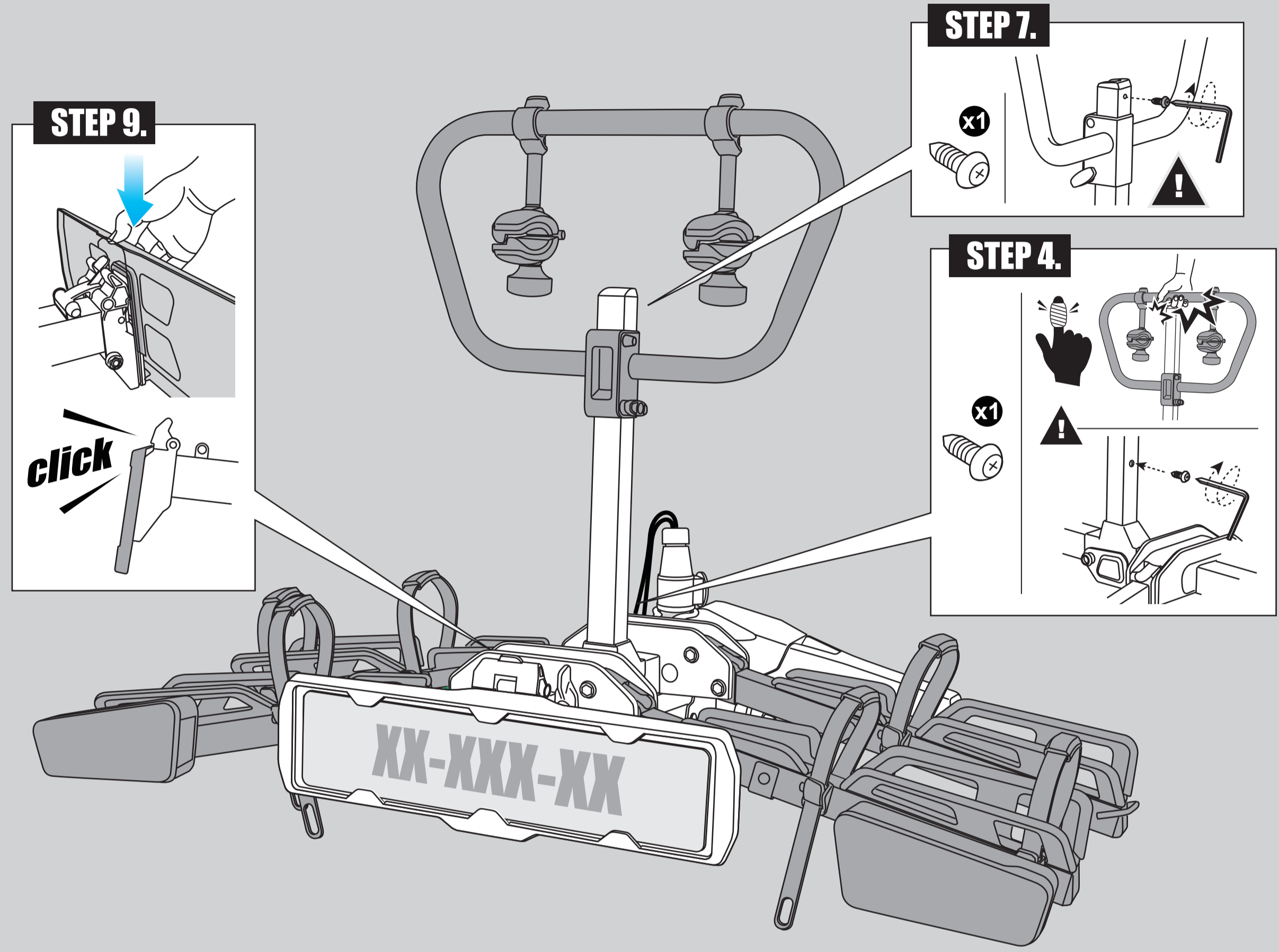
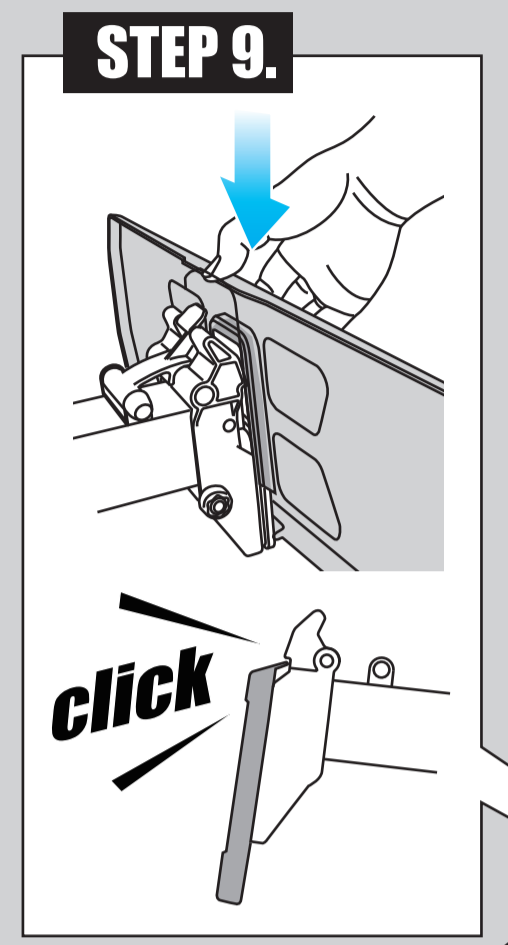
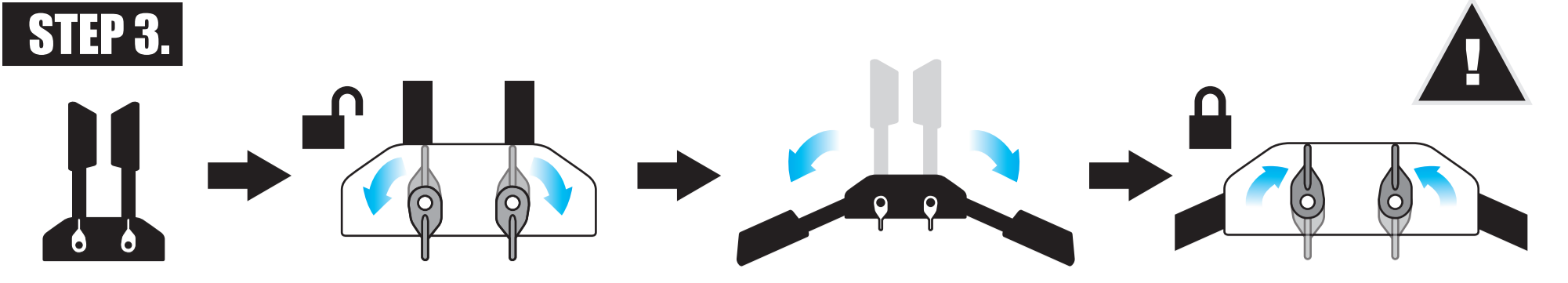
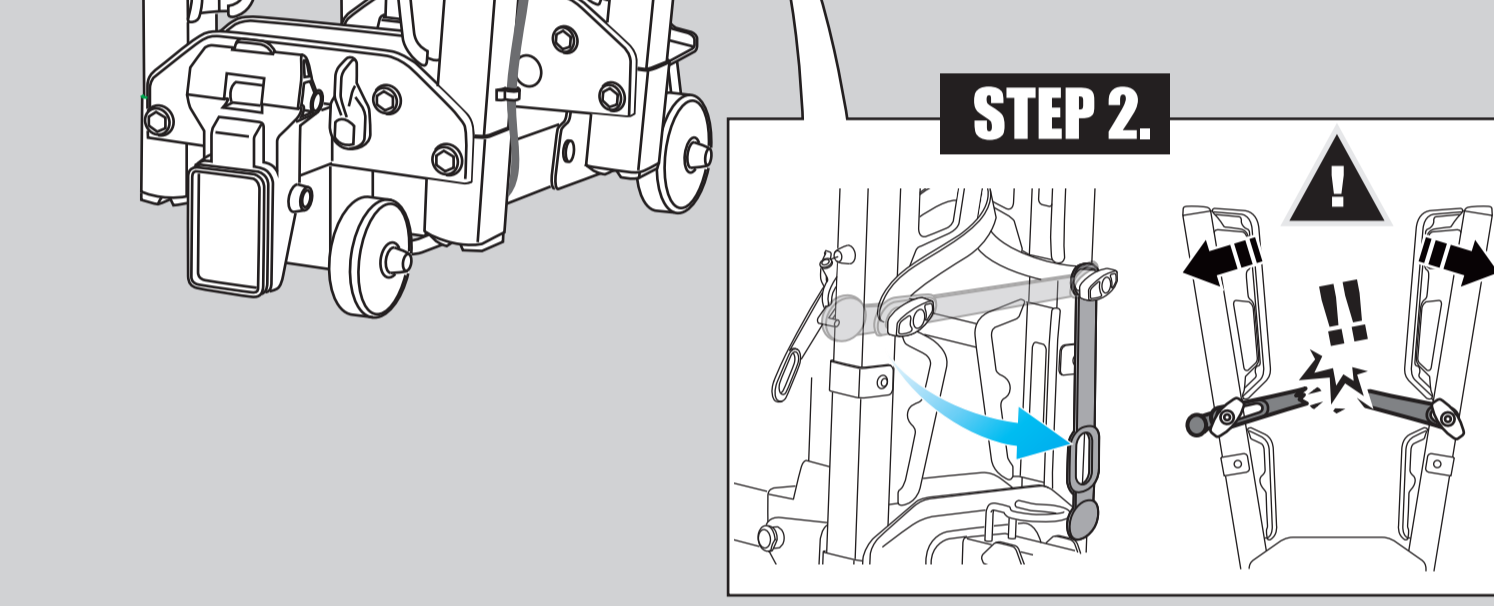
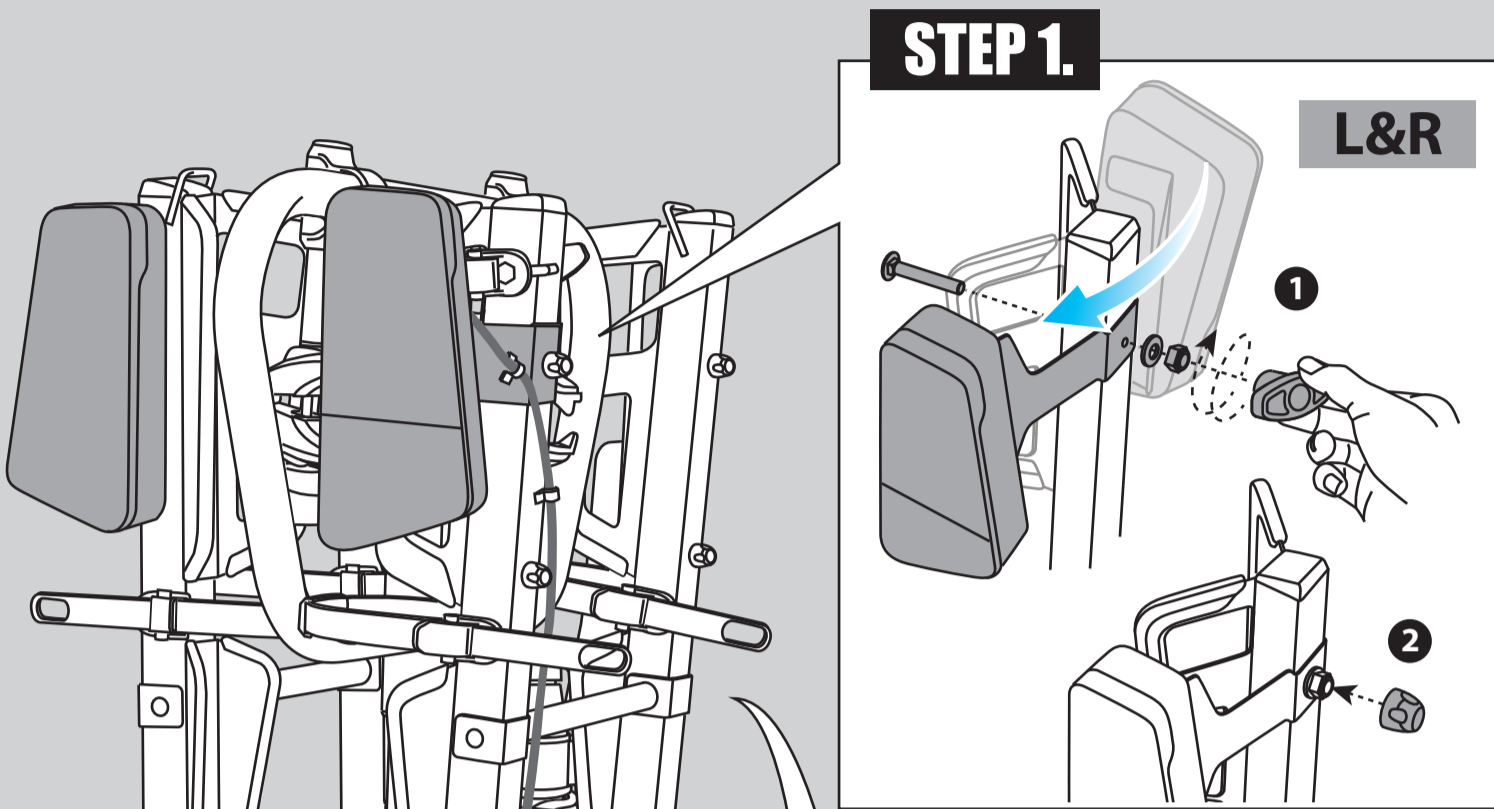
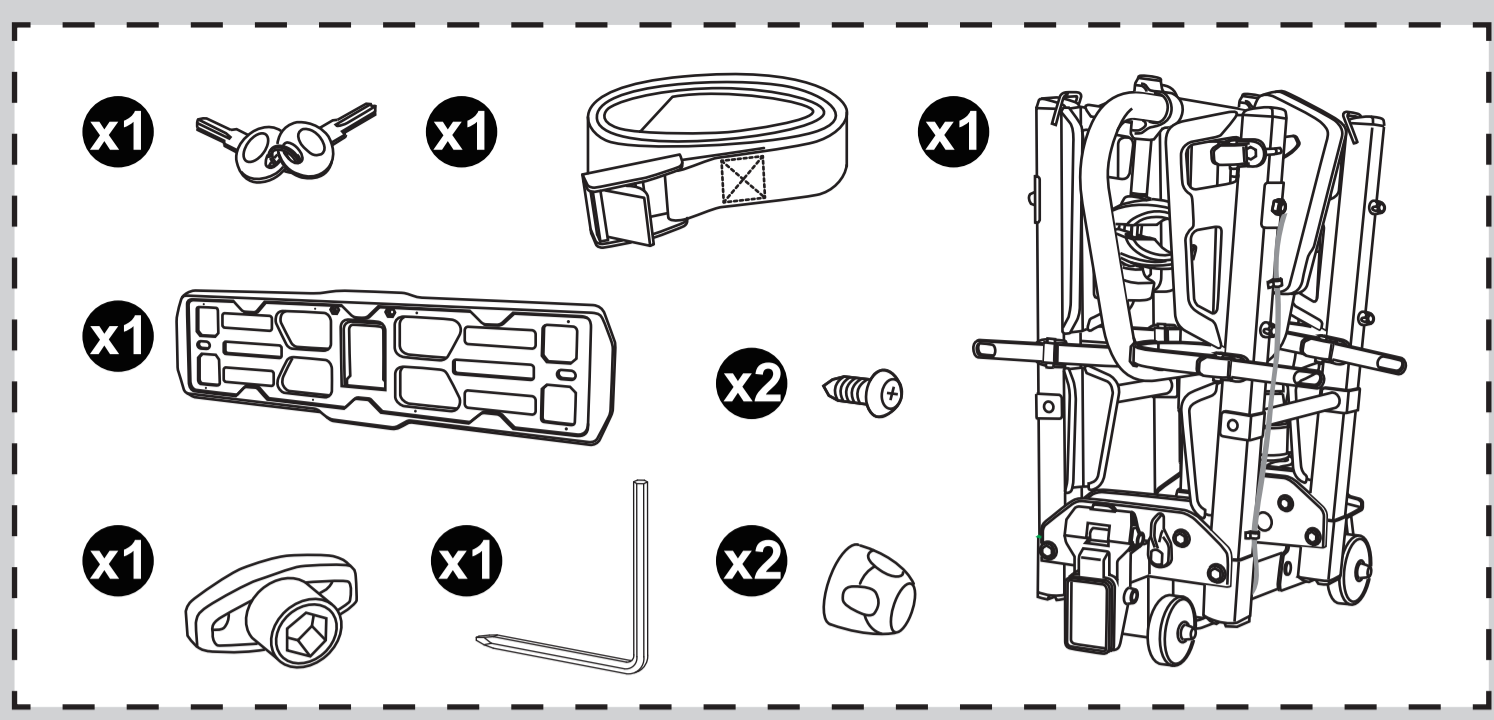
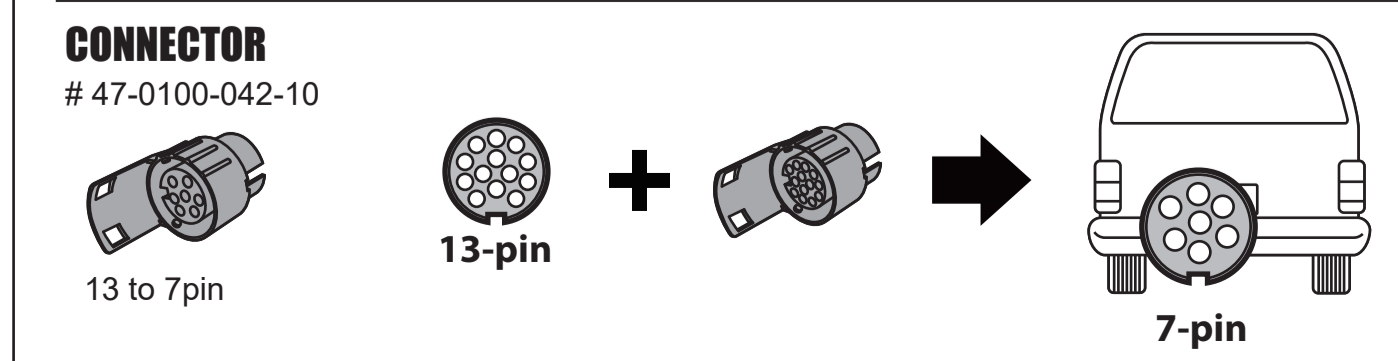
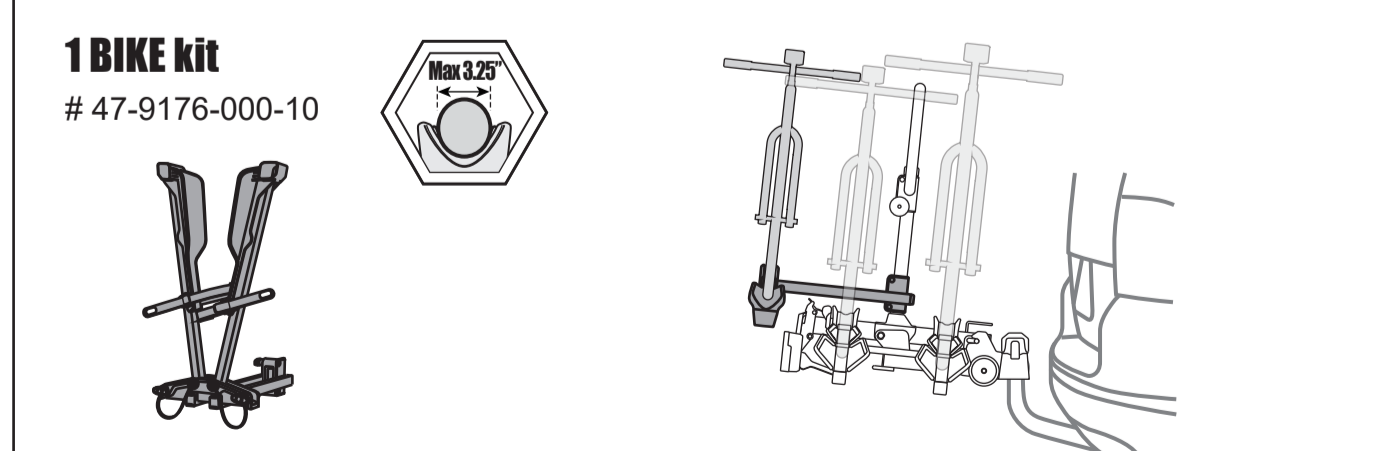
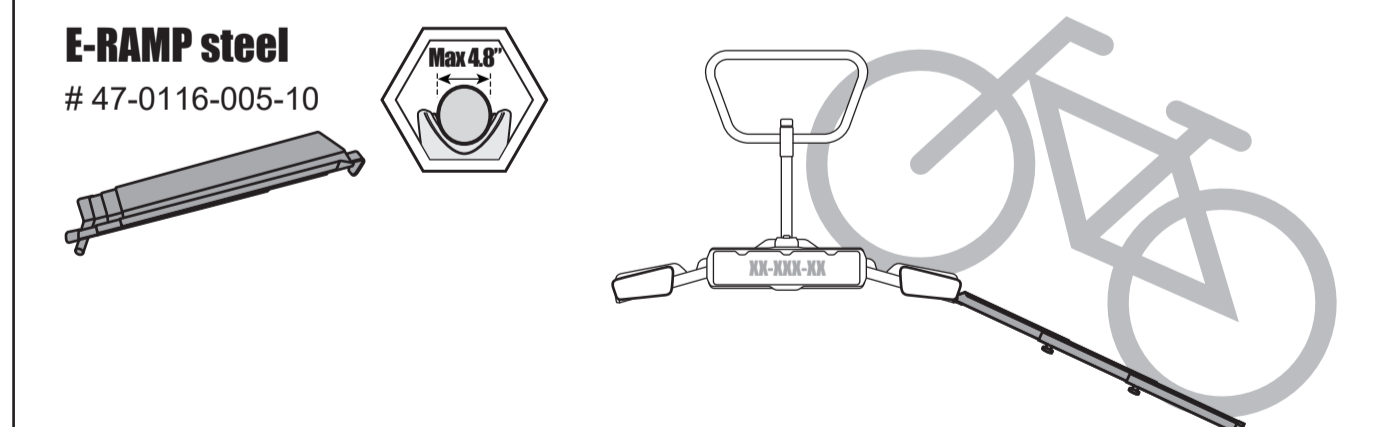


**Max 4.8"**



10" Tire diameter		26" Tire diameter		29" Tire diameter	
MIN	MAX	MIN	MAX	MIN	MAX
81cm(32")	116cm(46")	78cm(31")	127cm(50")	84cm(33")	129cm(51")

### ACCESSORIES (NOT INCLUDED)



**2**

min. Ø25 mm  
max. Ø60 mm

**4**

**5**

x2

**CARBON**

x2

**5**

**6**

**6**

**1**

**2**

**3**

**4**

**1**

**2**

**3**

**4**

**click**

**1**

**2**

**3**

**4**

**click**

**1**

**2**

**3**

**4**

**1**

**2**

**3**

**4**