

# BUZZ RACK

## EAZZY 2



Max		
40 kg		28.5 kg
50 kg		38.5 kg
60 kg	11.5 kg	MAX 40 kg
70 kg		MAX 40 kg
>80 kg		MAX 40 kg

>65mm	ISO 50mm	13	11.5
MAX 2x20kg		MAX 2x44lbs	

**MAX 40KG**

⚠ 2 x 20kg = MAX 40kg ⚠

**Max 3 1/2"**

26"	29"
Tire diameter	Tire diameter
MAX 120.6cm(47.5")	MAX 122.6cm(48.3")

**!**

**ACCESSORIES (NOT INCLUDED)**

**CONNECTOR**  
# 47-0100-042-10

13-pin + 7-pin

**x1**

**x1**

**x1**

**Tool**

**STEP 2.**

L R

**STEP 1.**

L&R

**STEP 3.**

L&R

**x2**

**STEP 6.**

**x2**

**x1**

**STEP 4.**

**x2**

L&R

**STEP 5.**

**x2**

L&R

**STEP 7.**

**!**

**!!**

**STEP 8.**

L&R

**!** L&R

**STEP 9.**

**XX-XXX-XX**

**Denmark only** 504x120mm

**x8**

\* This tool is not included.

**STEP 10.**

**click**

**maintenance**

**oil**

**STEP 11.**

**1**

**2**

**3**

**4**

**ISO 50mm**

**5 5Nm**

**6 MAX 37.5Kg (82.5Lbs)**

**4 3/4" (12cm)**

**CHECK!**

**7**

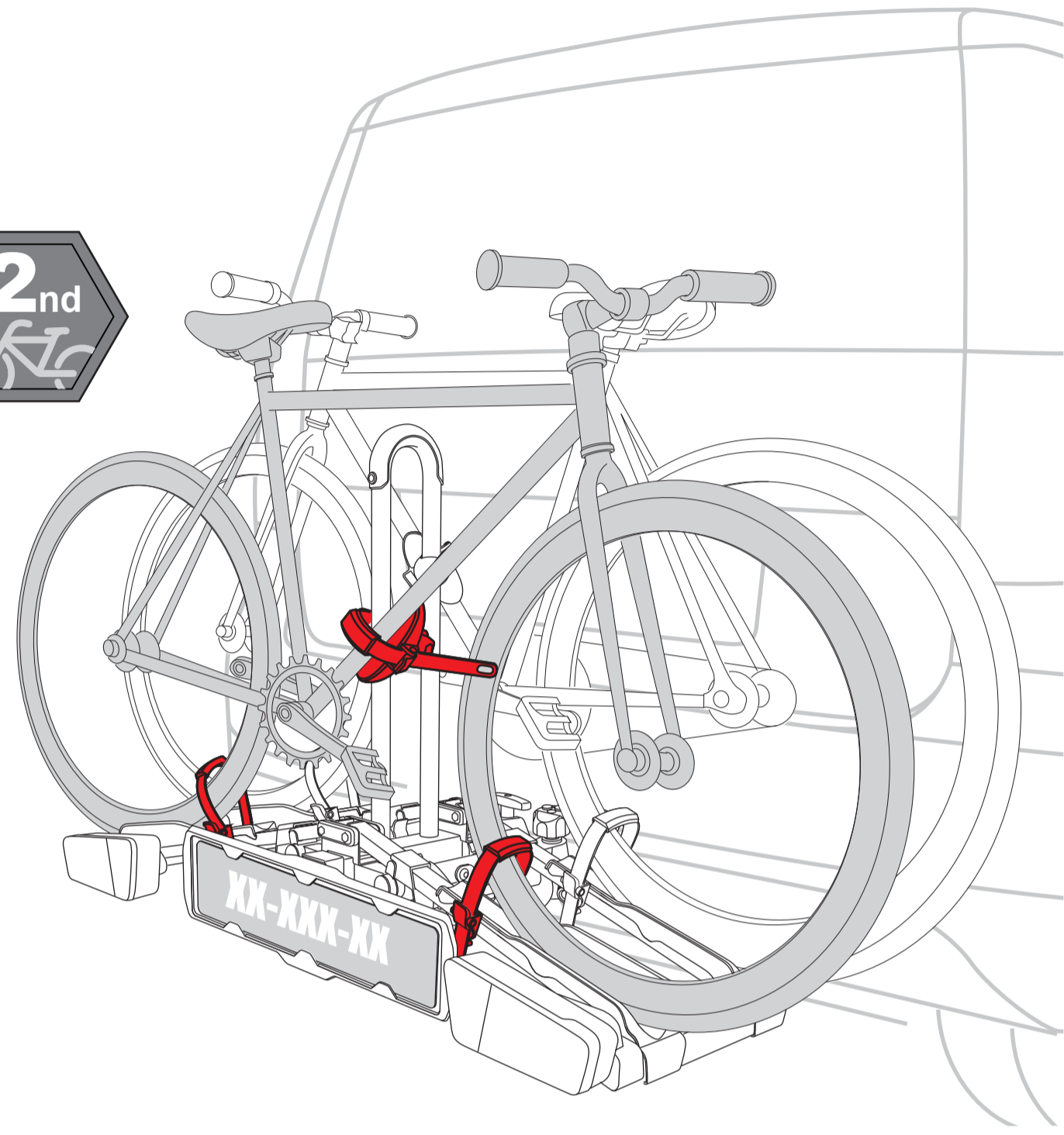
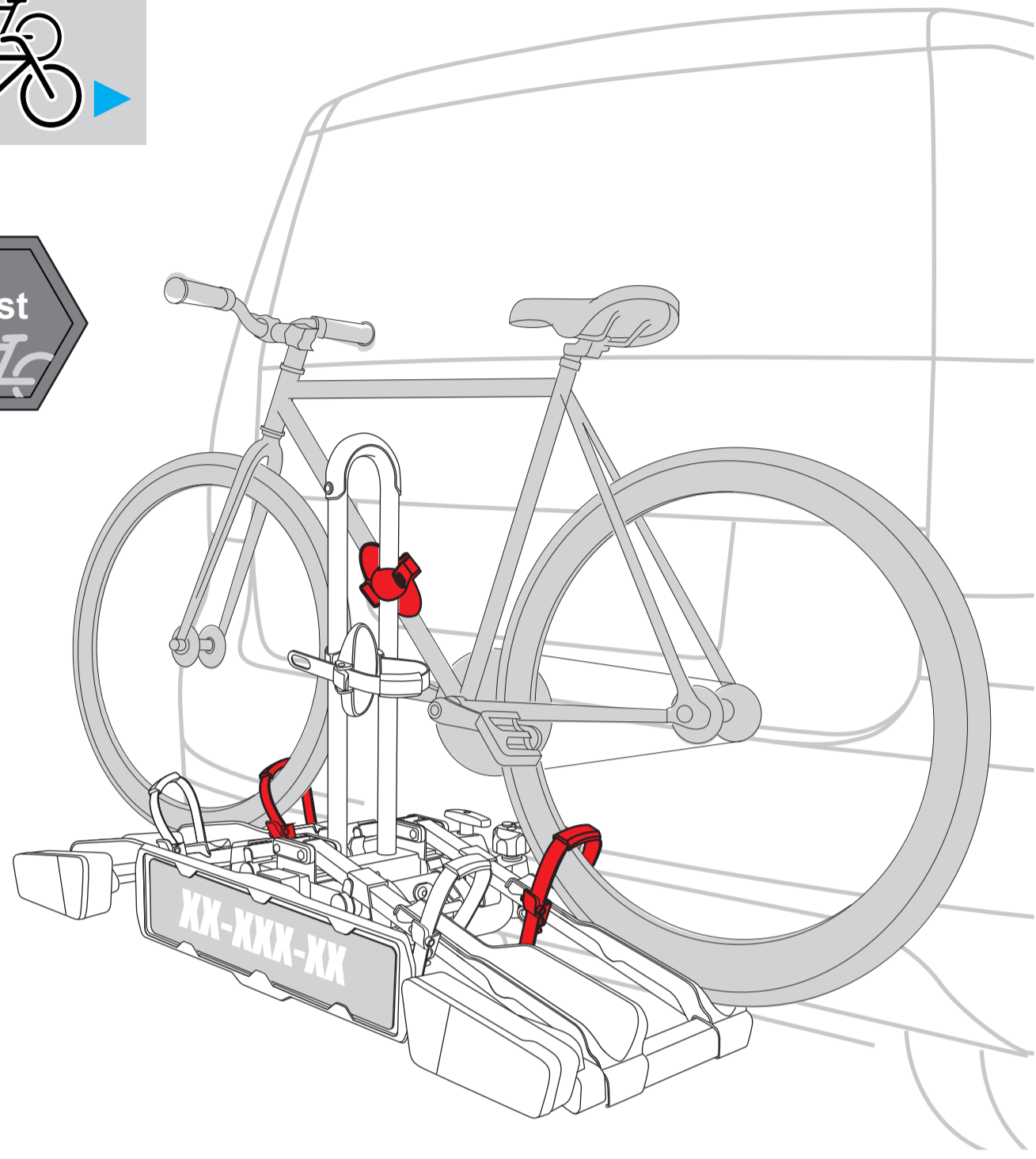
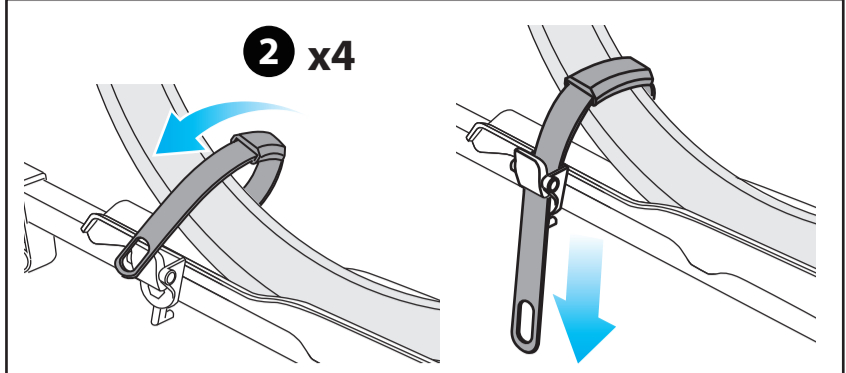
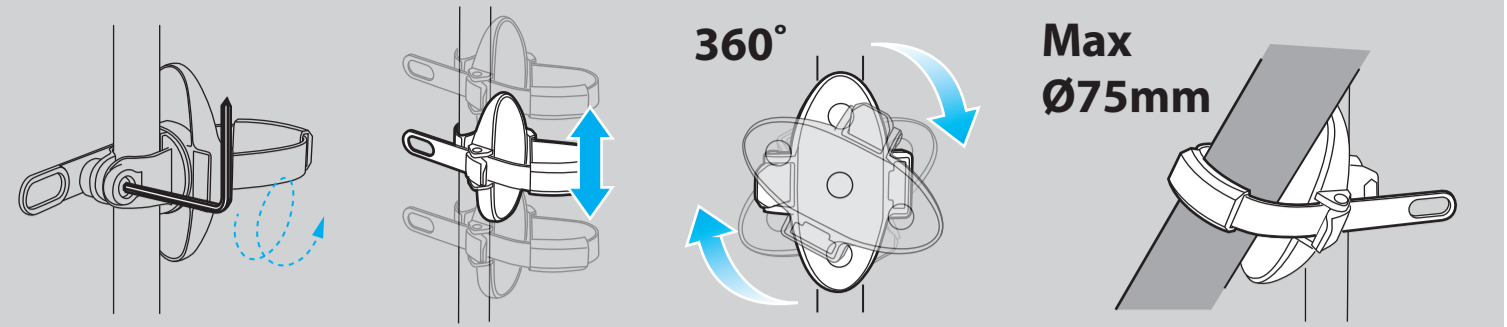
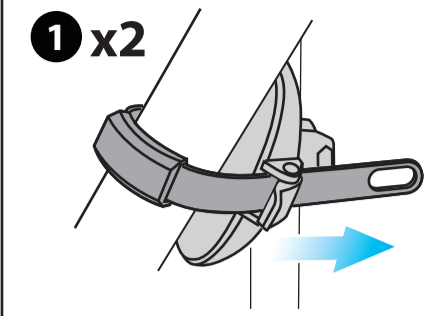
**13-pin**

**8**

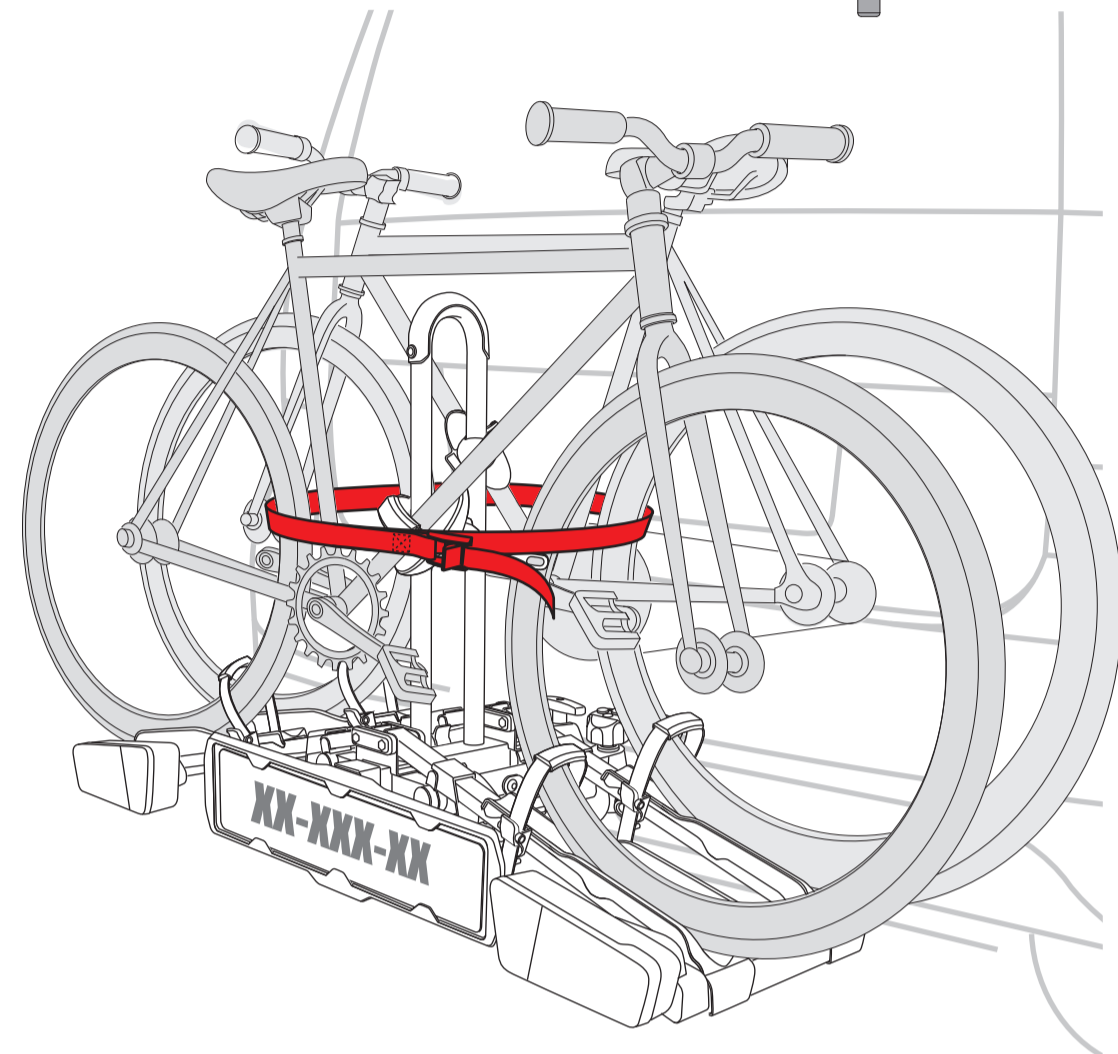
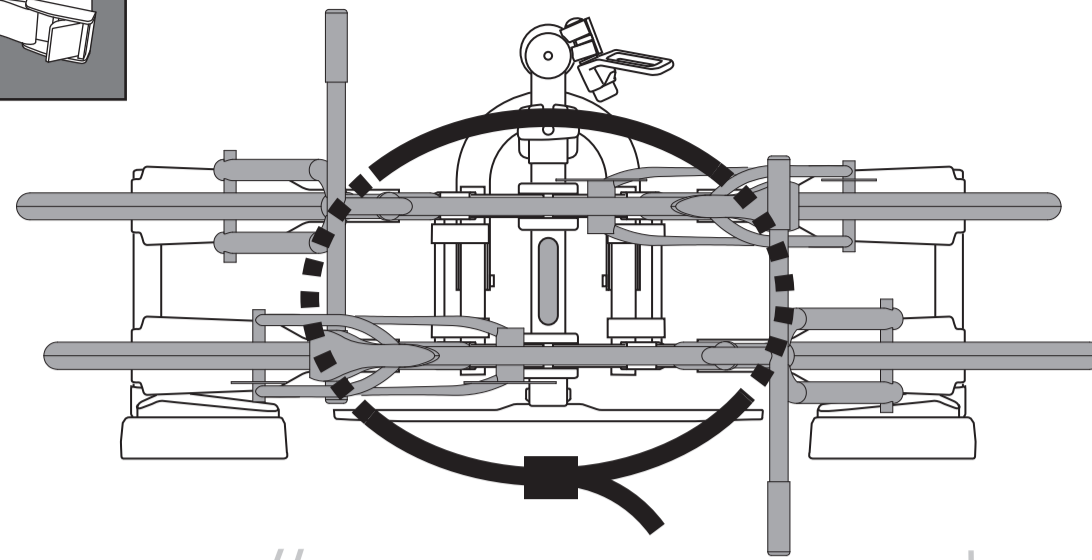
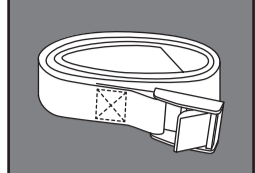
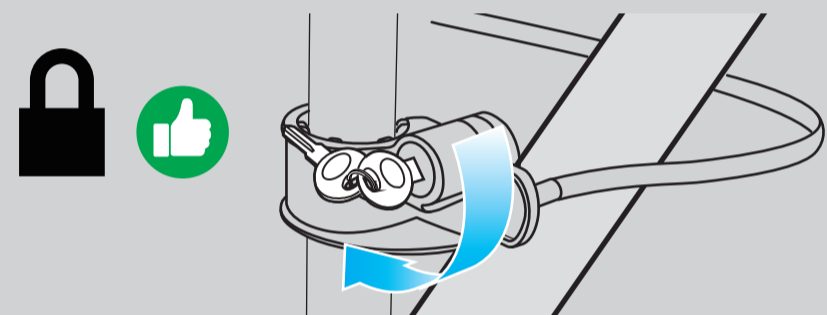
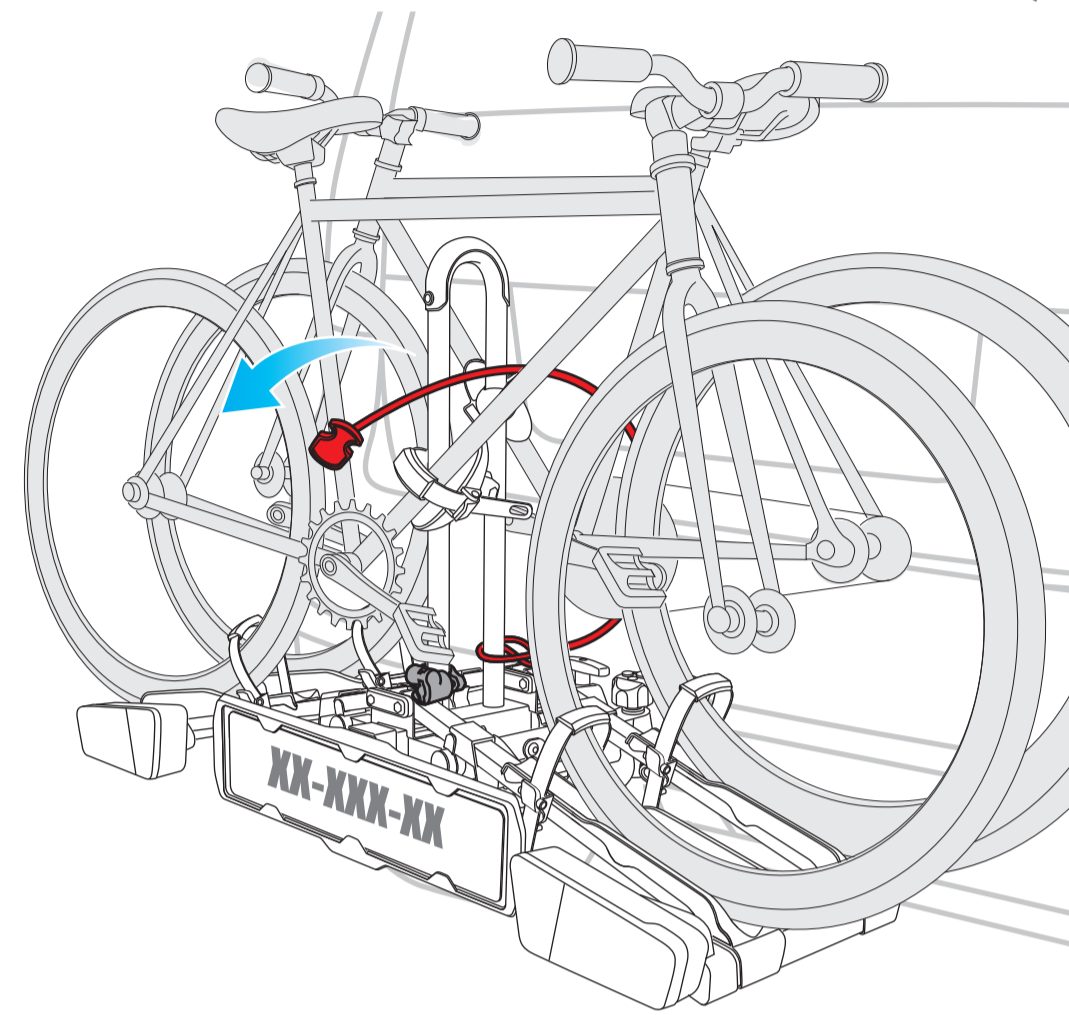
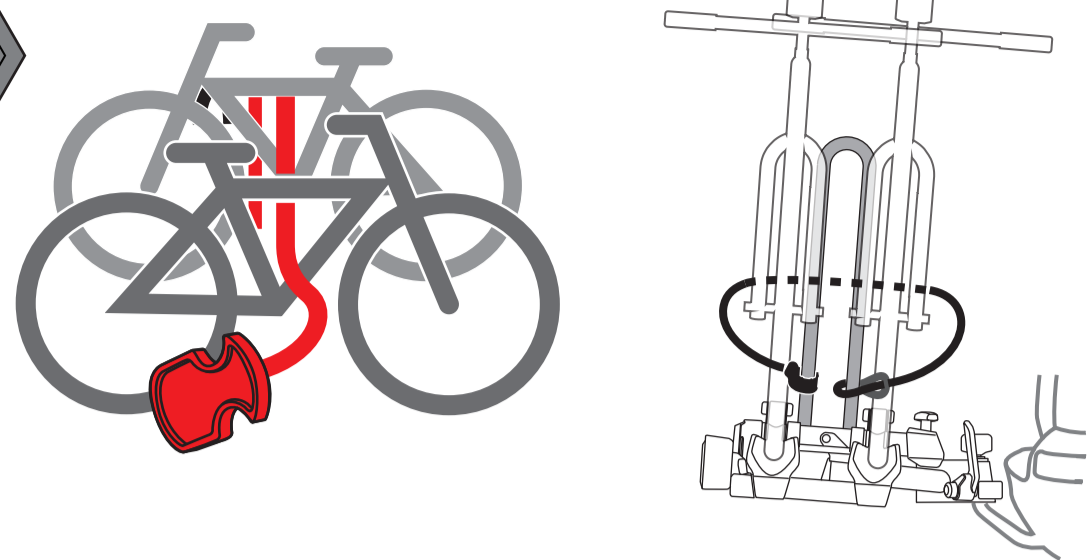
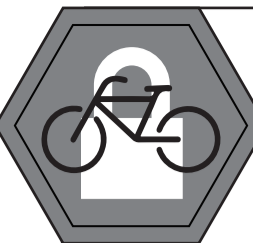
**9**

**7-pin flat AUSTRALIA / NZ**

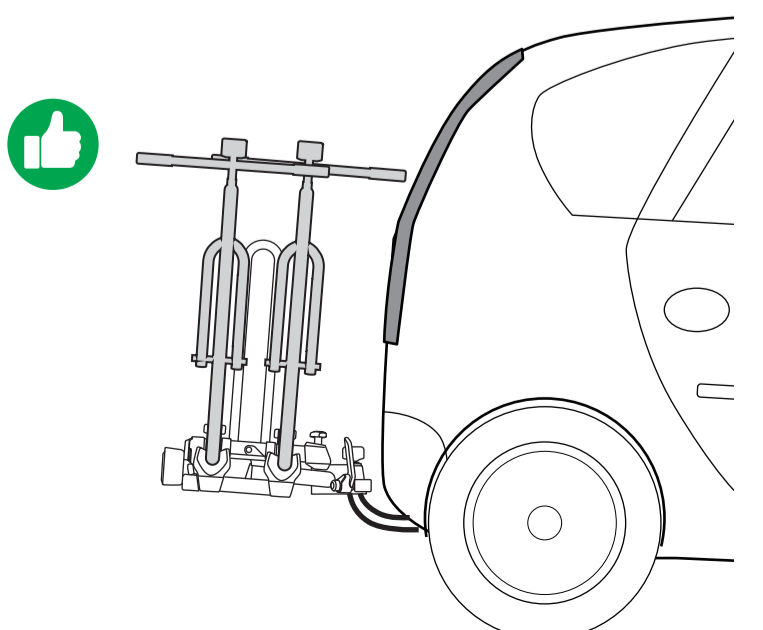
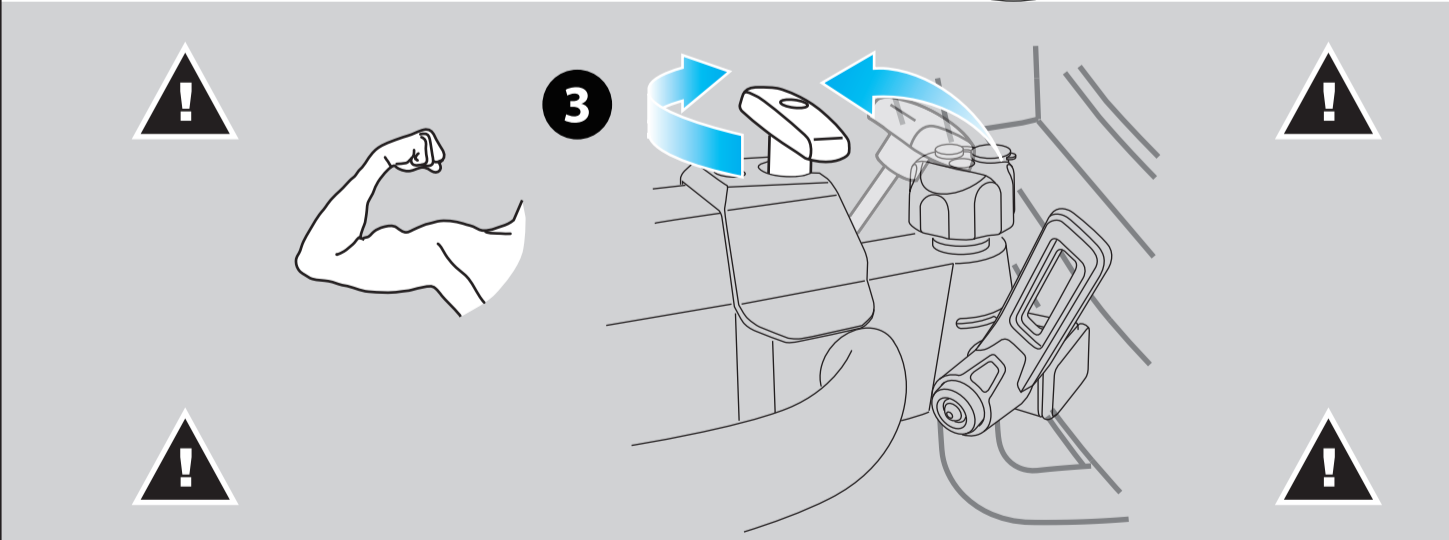
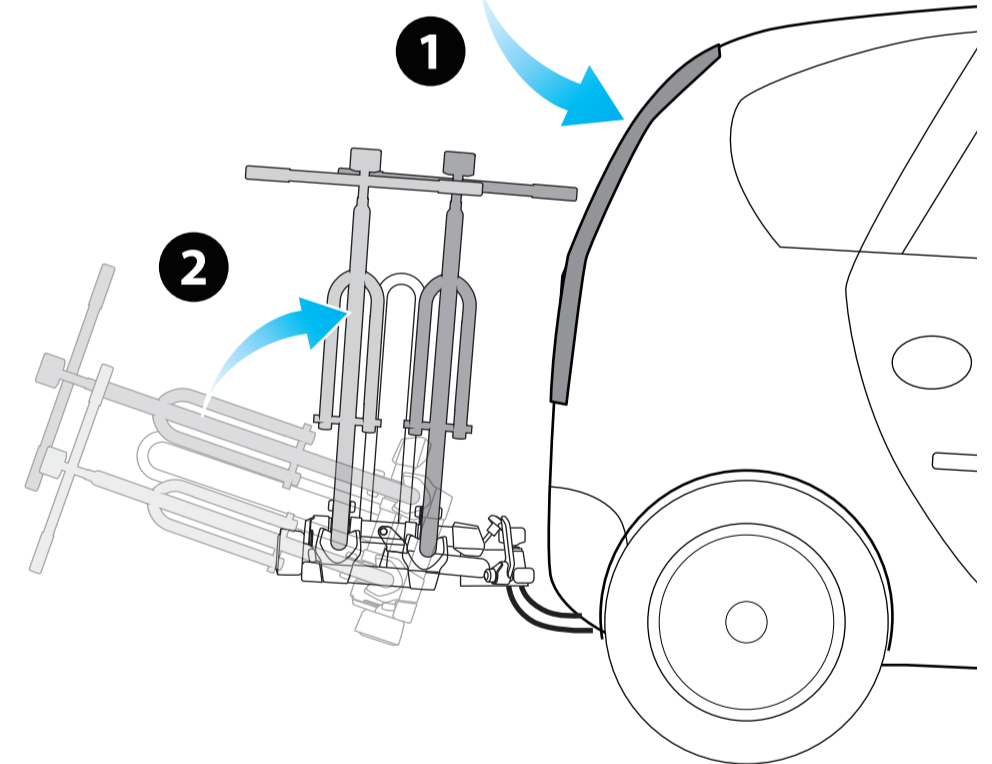
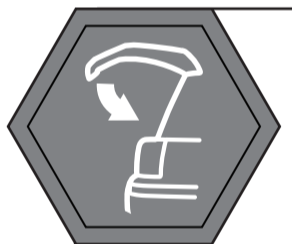
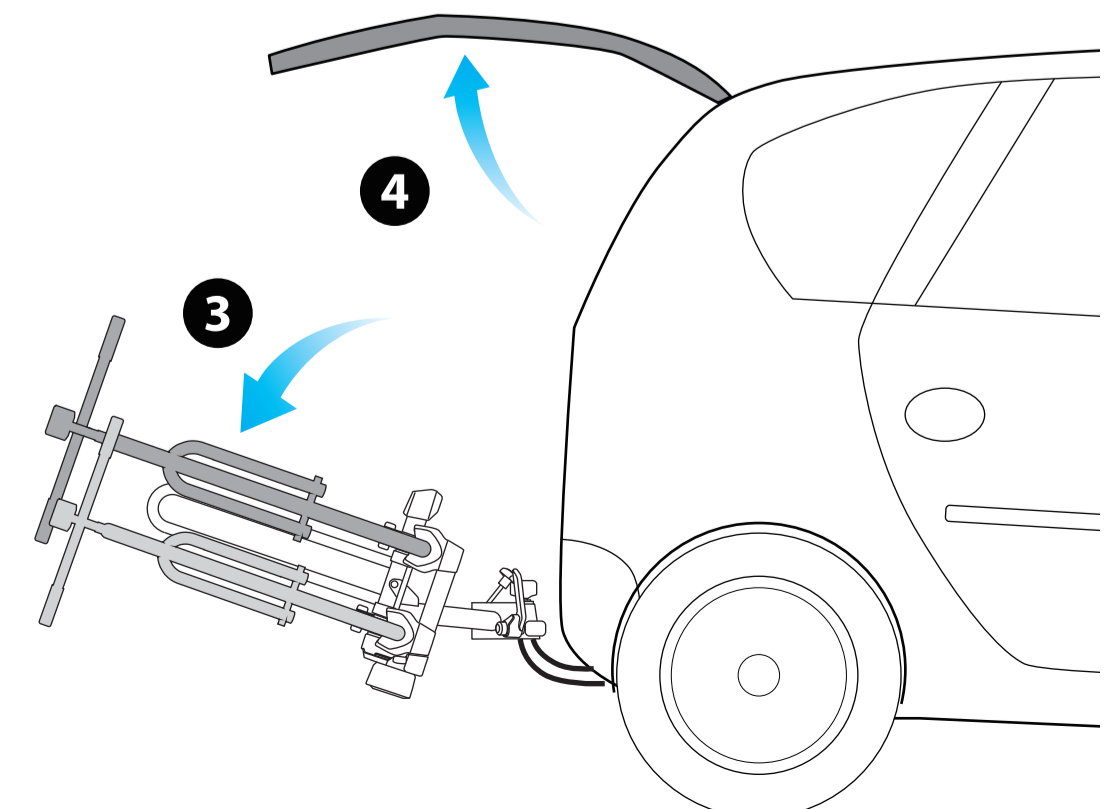
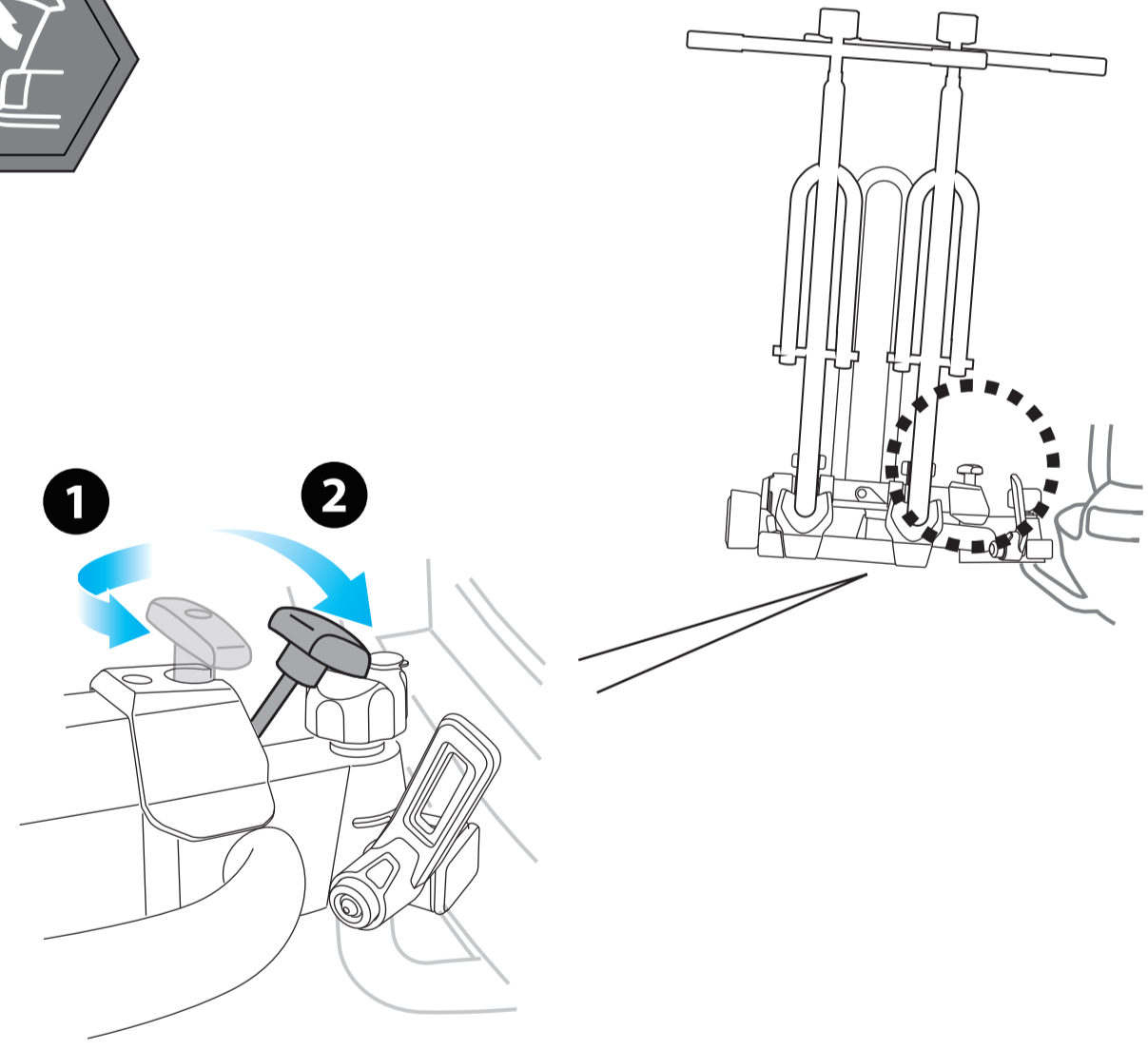
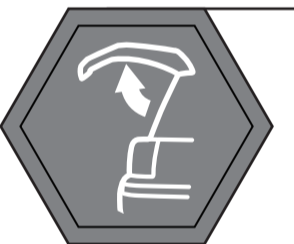
**STEP 12.**



**STEP 13.**



**STEP 14.**



**STEP 15.**

