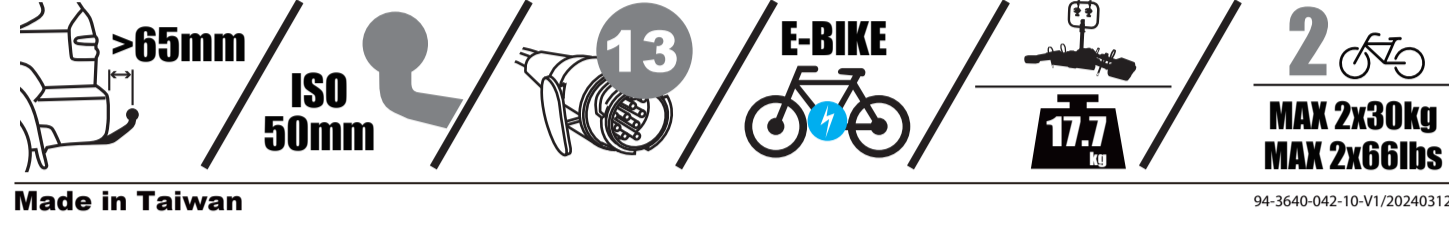


BUZZ RACK

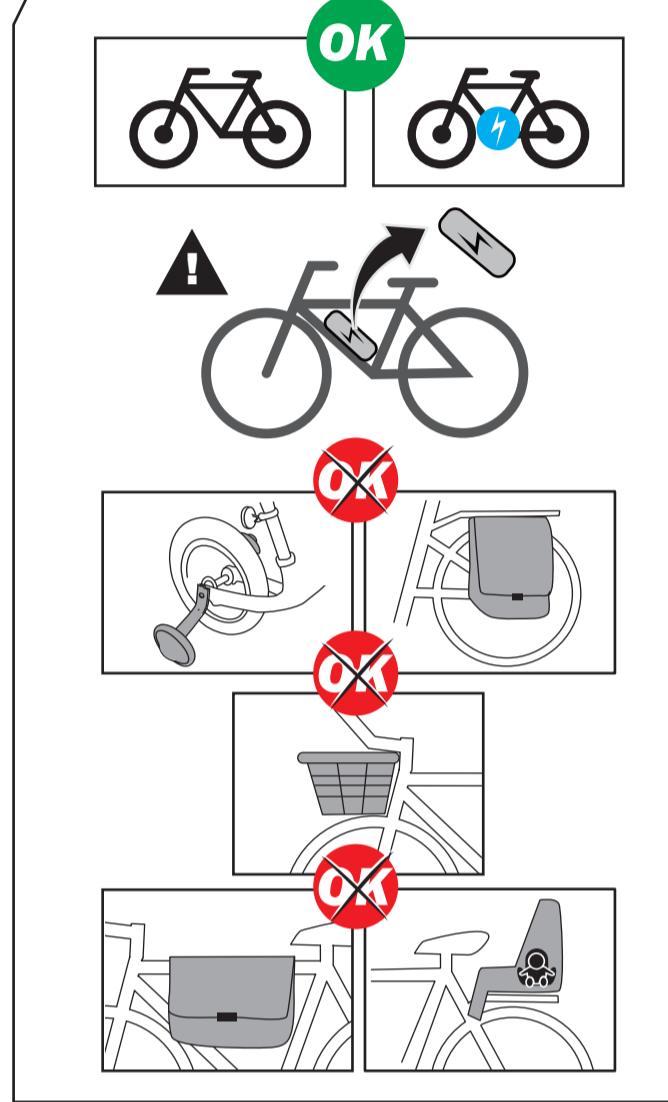
SCORPION LITE2



Max	Weight	Capacity
40 kg	22.6 kg	
50 kg	32.6 kg	
60 kg	42.6 kg	17.7 kg
70 kg	52.6 kg	
>80 kg	MAX 60 kg	



Made in Taiwan 94-3640-042-10-01/20240312



MAX 60KG E-Bike

2 x 30kg = MAX 60 kg

Max 4"

Wheel base

26" Tire diameter	29" Tire diameter
MAX 137.5cm(54")	MAX 139.3cm(54.8")

ACCESSORIES (NOT INCLUDED)

E-RAMP Alu # 47-0116-002-10

E-RAMP steel # 47-0116-003-10

E-RAMP Pro # 47-0116-006-10

ANTISWAY # 47-0100-045-10

STRAP KIT # 47-9177-000-10

CONNECTOR # 47-0100-042-10 (13 to 7pin)

STEP 1. L&R

STEP 2.

STEP 3. x2

STEP 4. L&R

STEP 5. Click

STEP 6.

STEP 7.

STEP 8. click

Denmark only 504x120mm

x8

* This tool is not included.

! Warning icons: heat, fire, and oil.

oil maintenance

STEP 9.

1

2

3

4

5 5Nm

6 MAX 37.5Kg (82.5Lbs)

4 3/4" (12cm)

CHECK!

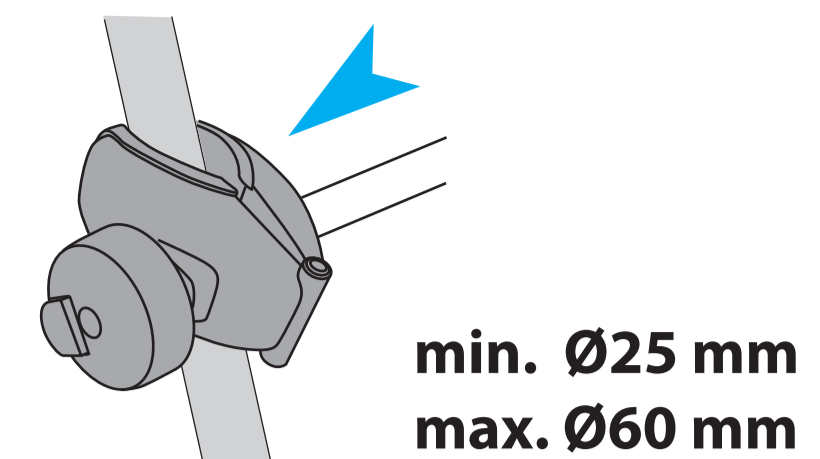
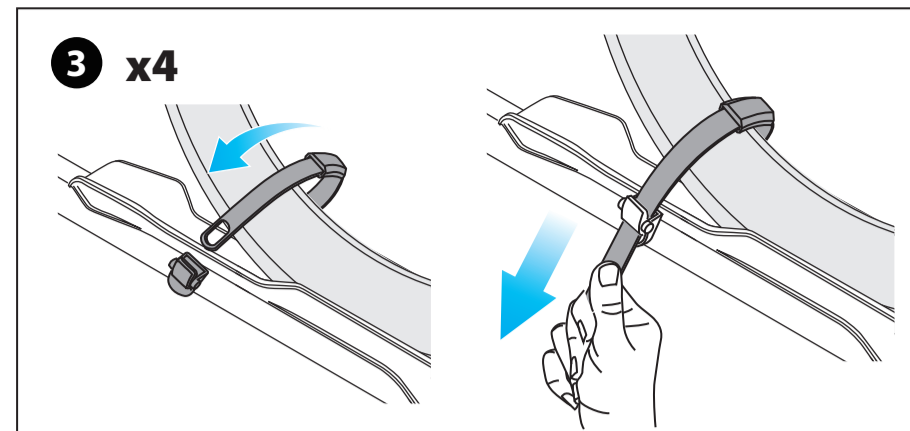
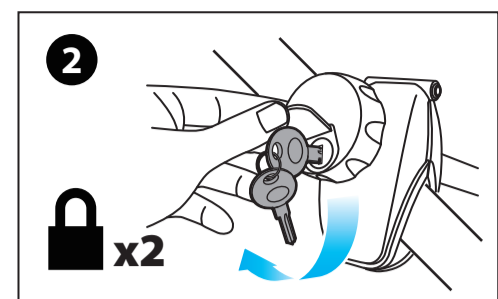
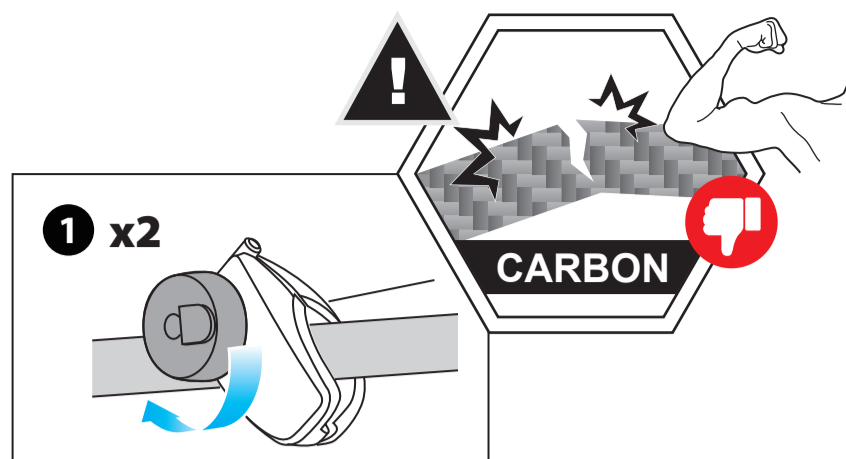
7

8

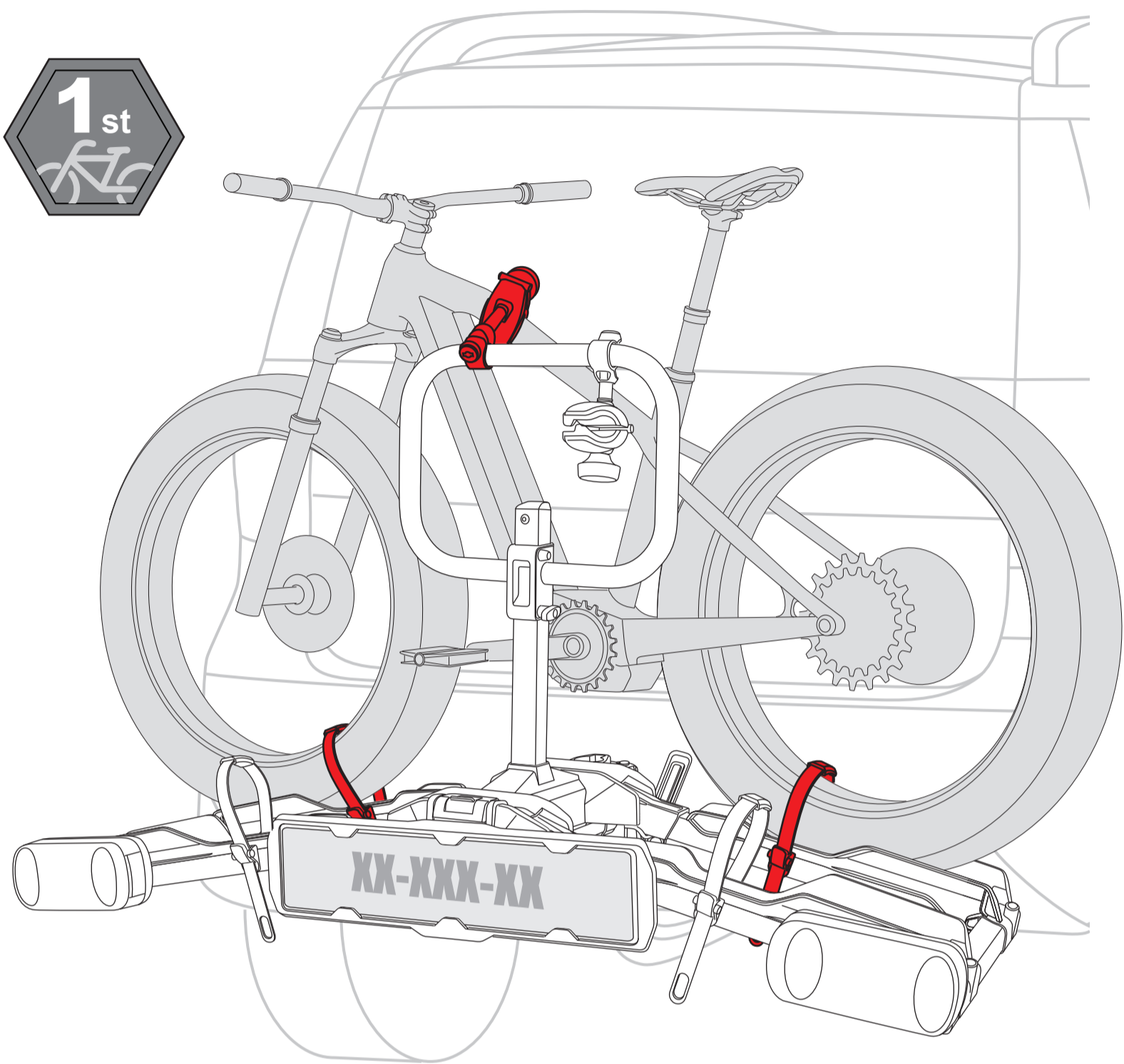
13-pin

7-pin flat AUSTRALIA / NZ

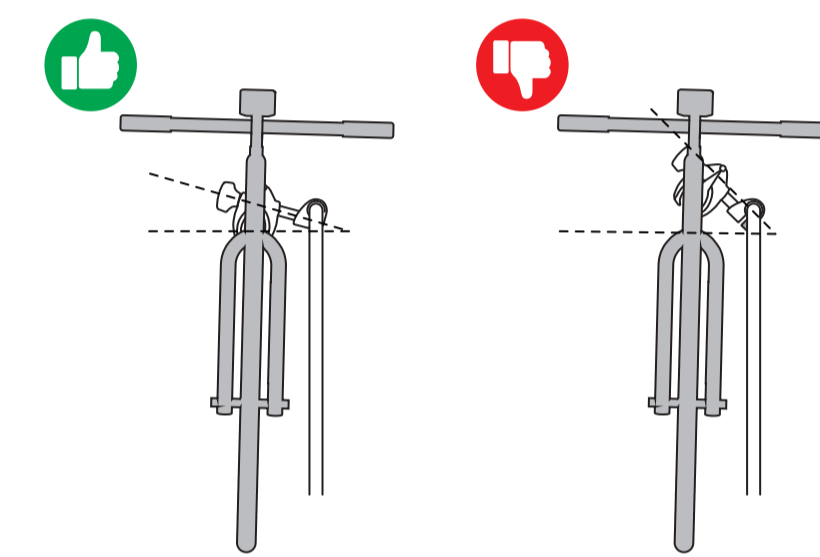
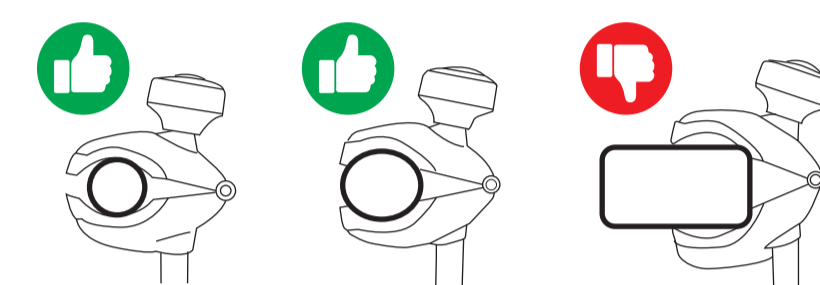
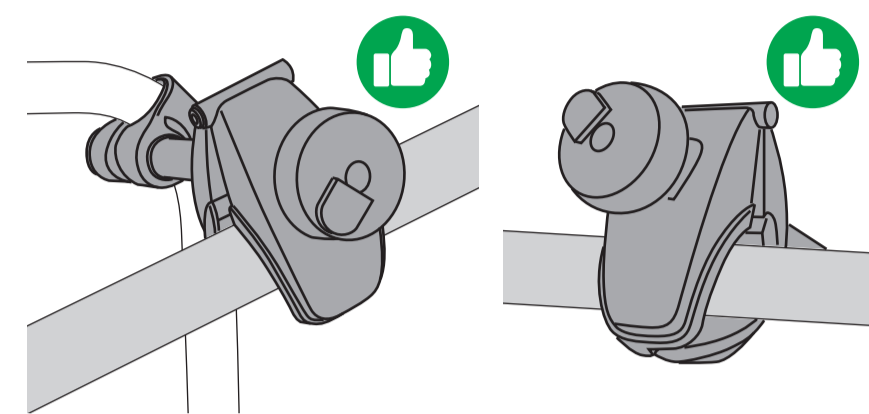
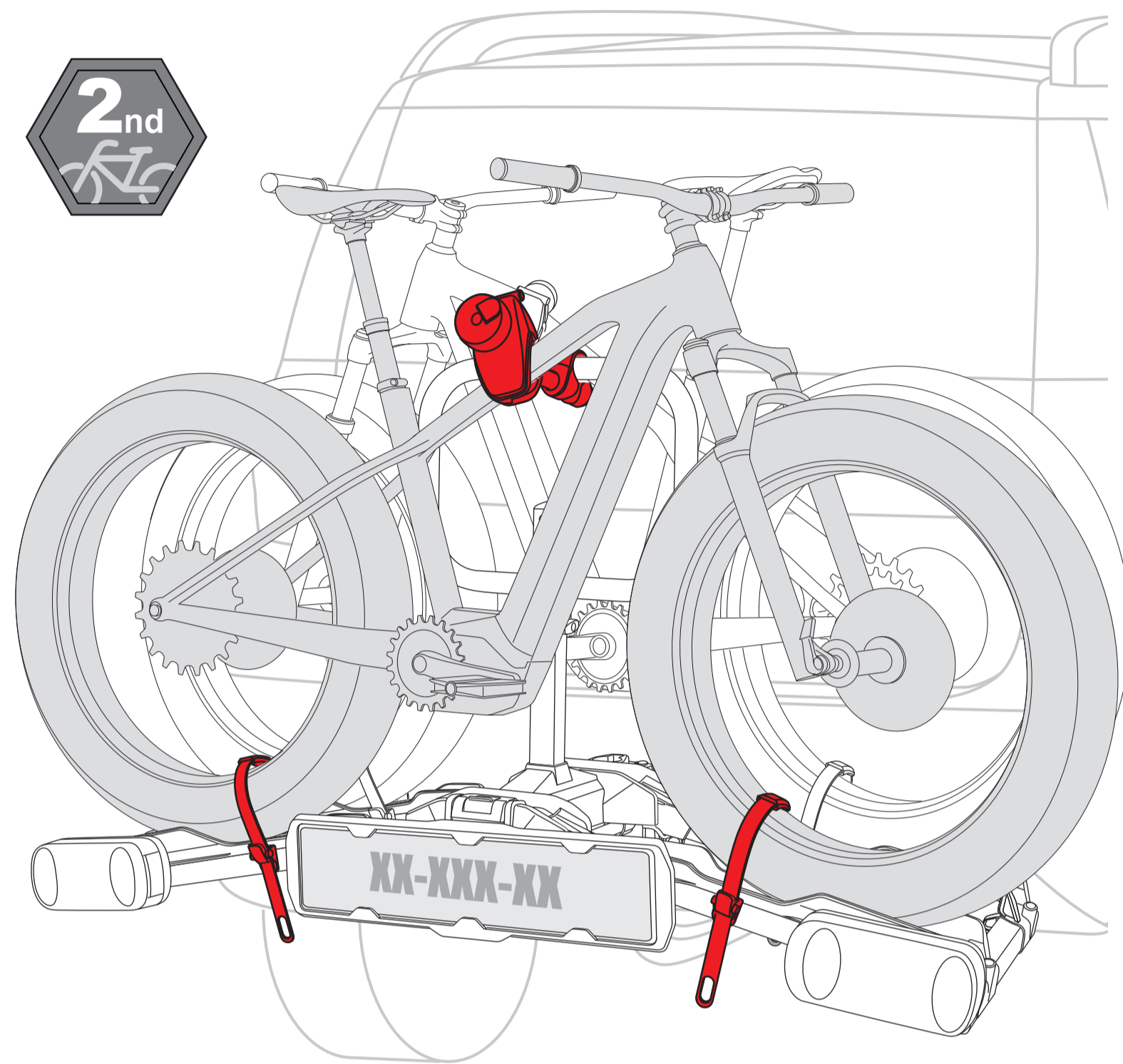
STEP 10.



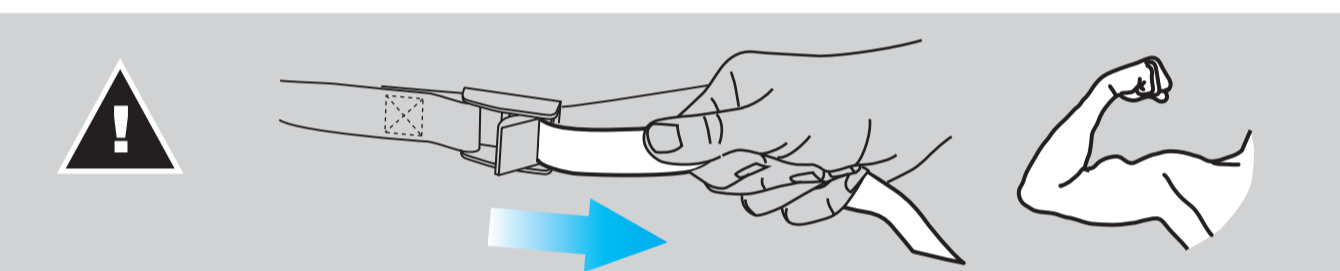
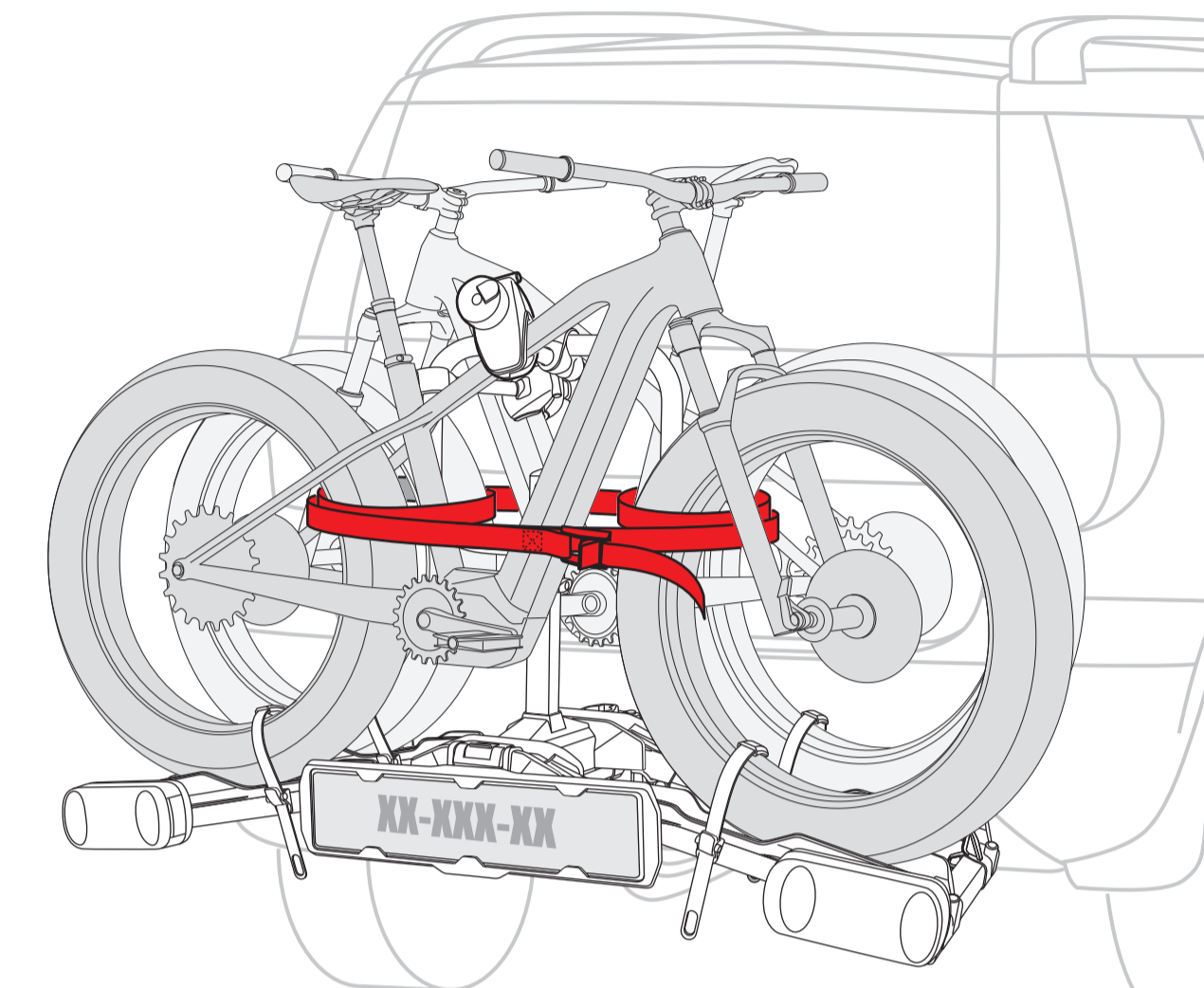
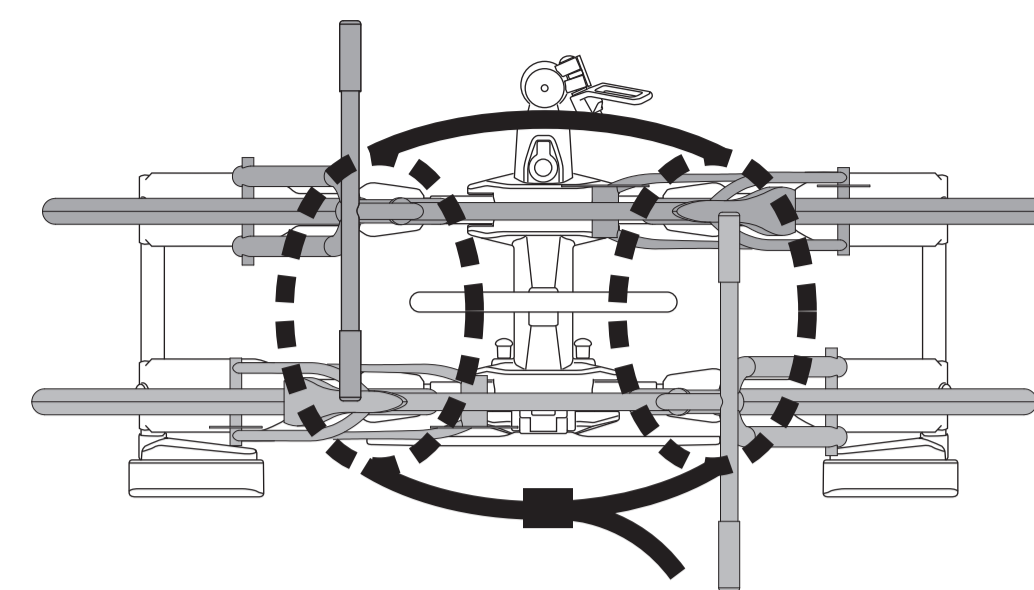
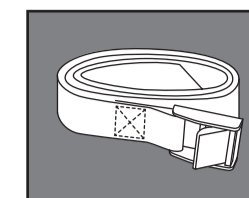
1st



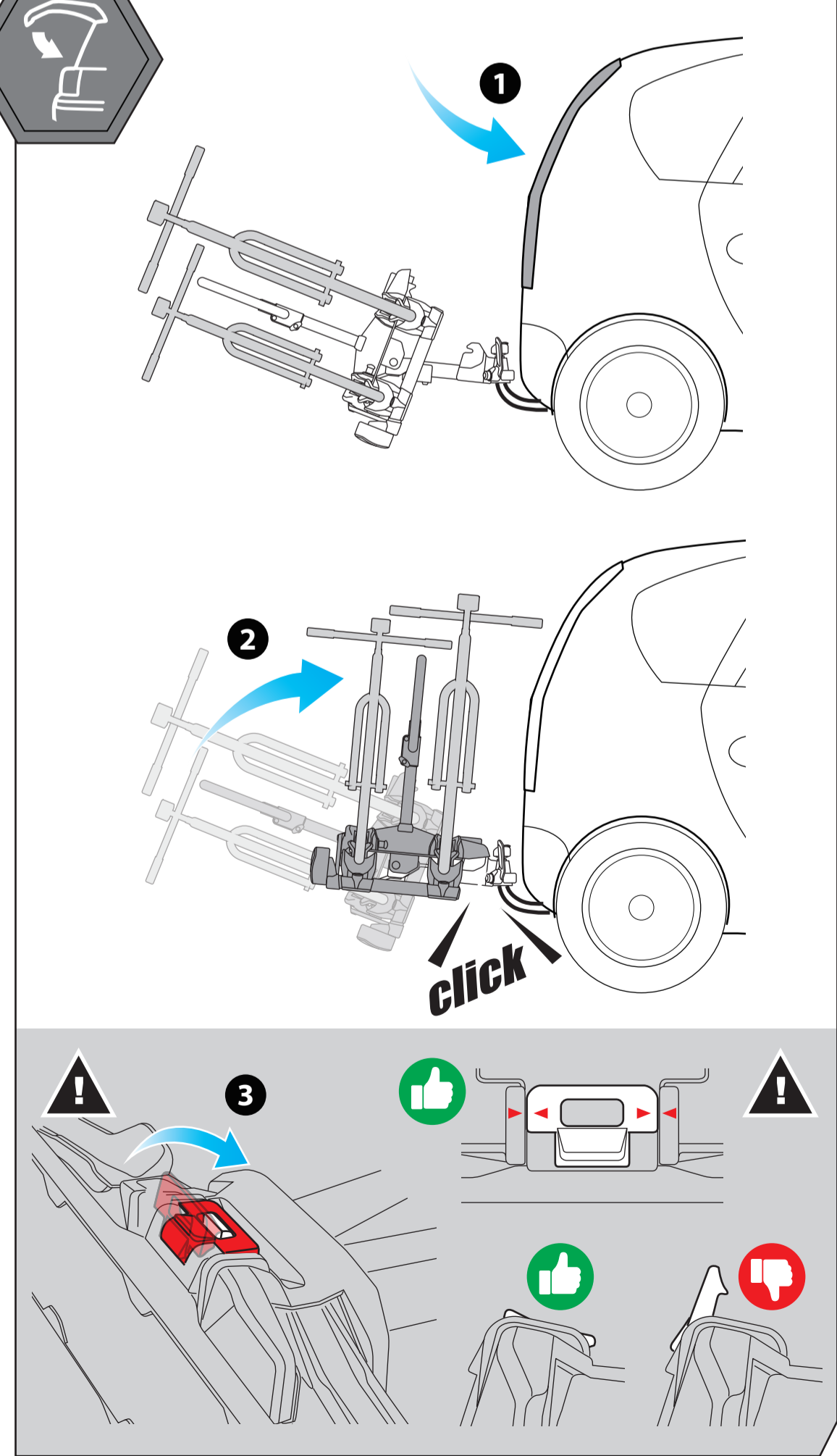
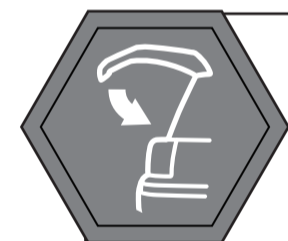
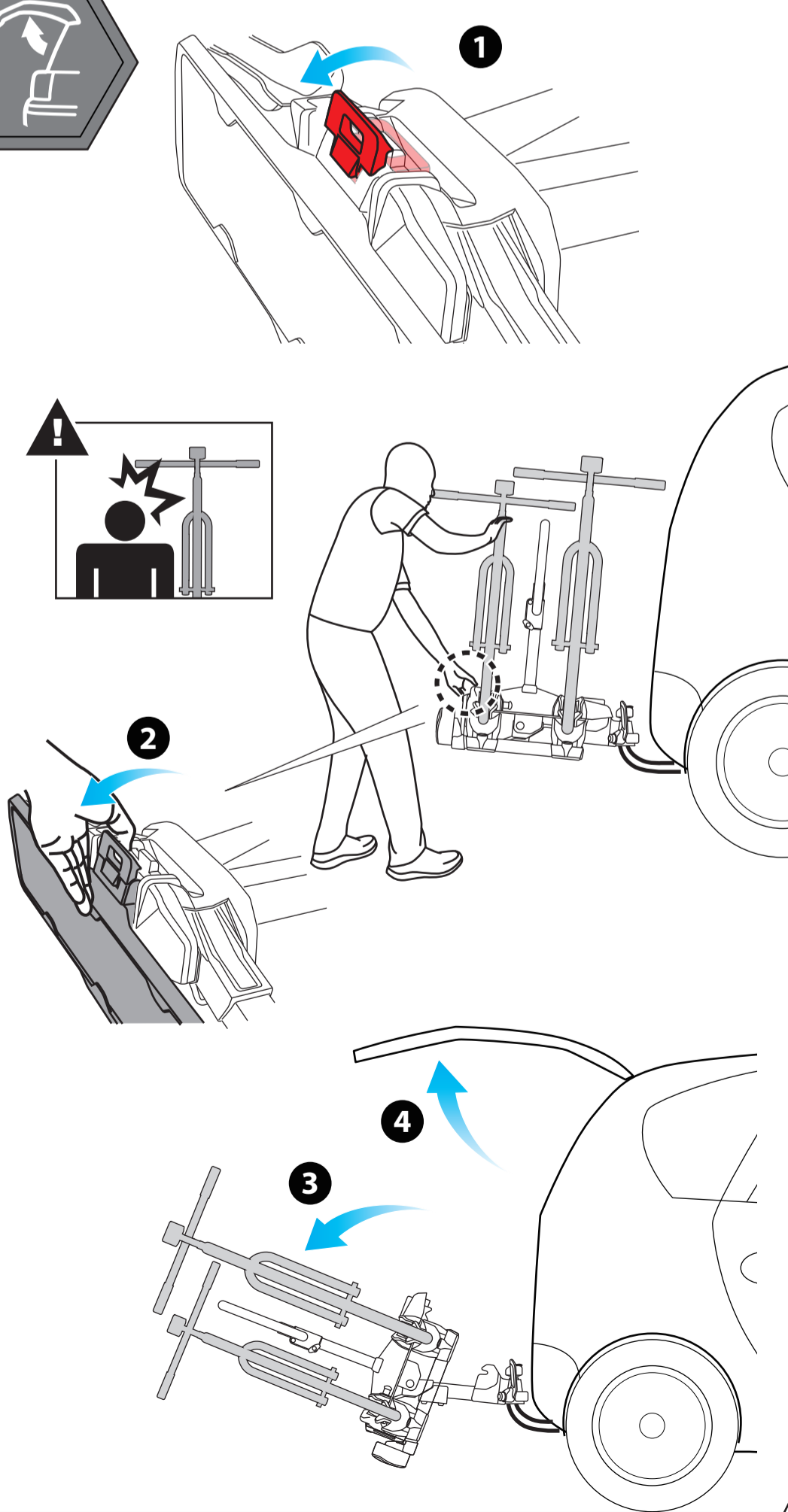
2nd



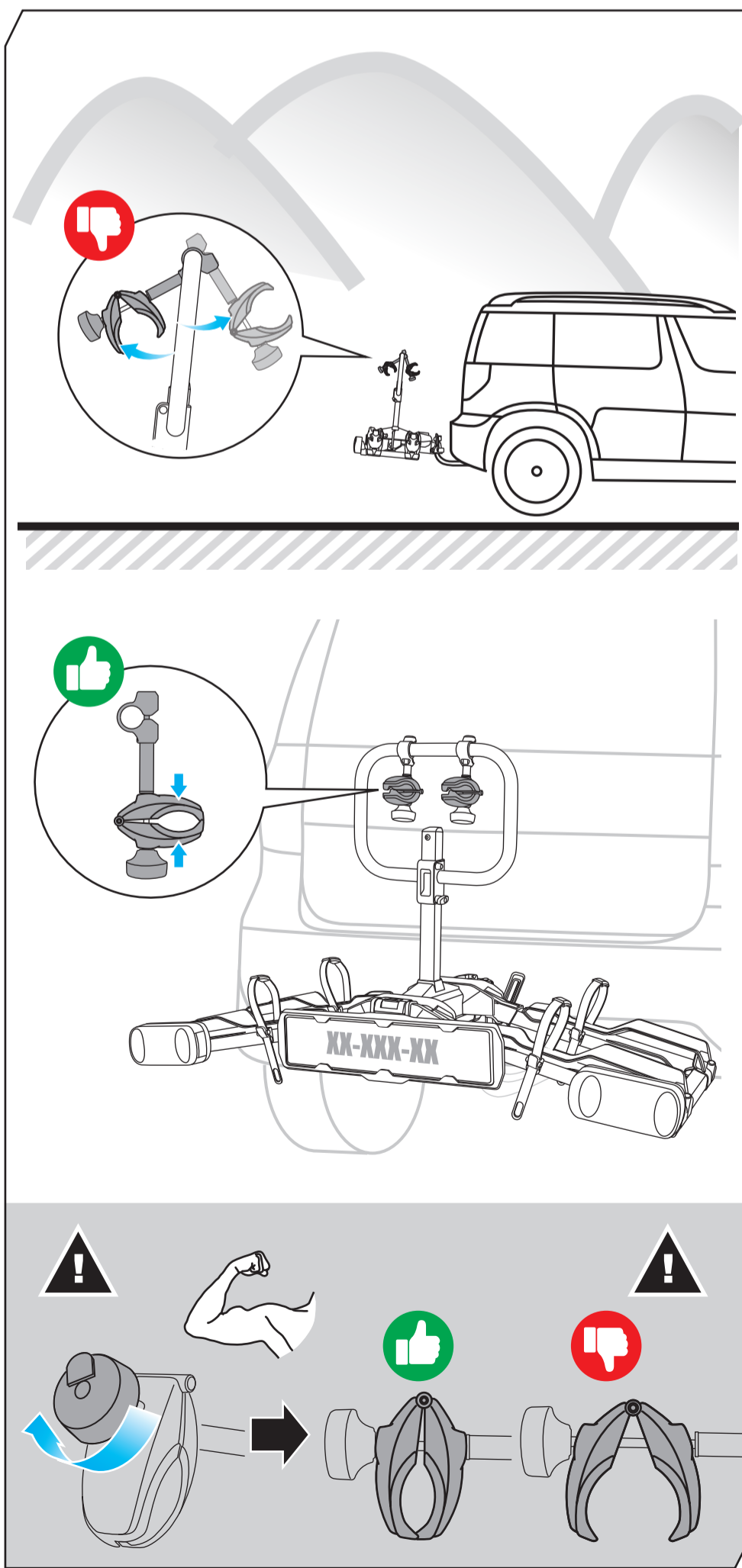
STEP 11.



STEP 12.



STEP 13.



STEP 14.

