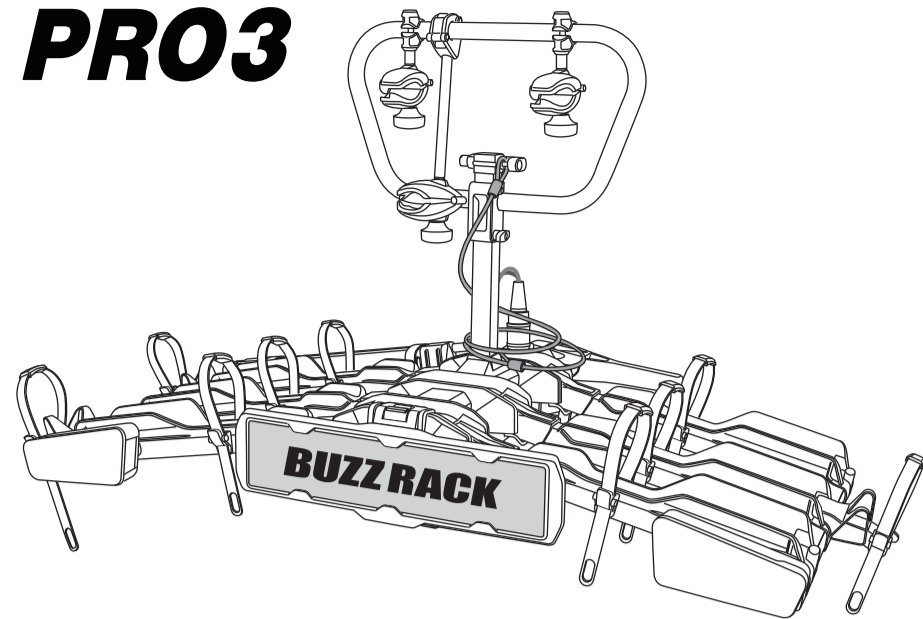


# BUZZ RACK

## SCORPION PRO3



Max		
50 kg	23.6 kg	
60 kg	33.6 kg	
70 kg	26.4 kg	43.6 kg
80 kg		53.6 kg
>85 kg		MAX 60 kg



Made in Taiwan

**MAX 60KG**

MAX 60 kg (3x20kg)

E-Bike MAX 60 kg (2x30kg)

**Max 4"**

26" Tire diameter	29" Tire diameter
MAX 137.5cm(54")	MAX 139.3cm(54.8")

**Warning!**

### ACCESSORIES (NOT INCLUDED)

**STRAP KIT**  
# 47-9177-000-10

+10cm

**CONNECTOR**  
# 47-0100-042-10

13 to 7pin

13-pin + 7-pin

### STEP 1.

**Tool**

**L&R**

1

2

3

4

5

**L&R**

1

2

3

4

5

**L&R**

1

2

3

4

5

**L&R**

1

2

3

4

5

**L&R**

1

2

3

4

5

**L&R**

1

2

3

4

5

**L&R**

1

2

3

4

5

**L&R**

1

2

3

4

5

**L&R**

1

2

3

4

5

**L&R**

1

2

3

4

5

**L&R**

1

2

3

4

5

**L&R**

1

2

3

4

5

**L&R**

1

2

3

4

5

**L&R**

1

2

3

4

5

**L&R**

1

2

3

4

5

**L&R**

1

2

3

4

5

**L&R**

1

2

3

4

5

**L&R**

1

2

3

4

5

**L&R**

1

2

3

4

5

**L&R**

1

2

3

4

5

**L&R**

1

2

3

4

5

**L&R**

1

2

3

4

5

**L&R**

1

2

3

4

5

**L&R**

1

2

3

4

5

**L&R**

1

2

3

4

5

**L&R**

1

2

3

4

5

**L&R**

1

2

3

4

5

**L&R**

1

2

3

4

5

**L&R**

1

2

3

4

5

**L&R**

1

2

3

4

5

**L&R**

1

2

3

4

5

**L&R**

1

2

3

4

5

**L&R**

1

2

3

4

5

**L&R**

1

2

3

4

5

**L&R**

1

2

3

4

5

**L&R**

1

2

3

4

5

**L&R**

1

2

3

4

5

**L&R**

1

2

3

4

5

**L&R**

1

2

3

4

5

**L&R**

1

2

3

4

5

**L&R**

1

2

3

4

5

**L&R**

1

2

3

4

5

**L&R**

1

2

3

4

5

**L&R**

1

2

3

4

5

**L&R**

1

2

3

4

5

**L&R**

1

2

3

4

5

**L&R**

1

2

3

4

5

**L&R**

1

2

3

4

5

**L&R**

1

2

3

4

5

**L&R**

1

2

3

4

5

**L&R**

1

2

3

4

5

**L&R**

1

2

3

4

5

**L&R**

1

2

3

4

5

**L&R**

1

2

3

4

5

**L&R**

1

2

3

4

5

**L&R**

1

2

3

4

5

**L&R**

1

2

3

4

5

**L&R**

1

2

3

4

5

**L&R**

1

2

3

4

5

**L&R**

1

2

3

4

5

**L&R**

1

2

3

4

5

**L&R**

1

2

3

4

5

**L&R**

1

2

3

4

5

**L&R**

1

2

3

4

5

**L&R**

1

2

3

4

5

**L&R**

1

2

3

4

5

**L&R**

1

2

3

4

5

**L&R**

1

2

3

4

5

**L&R**

1

2

3

4

5

**L&R**

1

2

3

4

5

**L&R**

1

2

3

4

5

**L&R**

1

2

3

4

5

**L&R**

1

2

3

4

5

**L&R**

1

2

3

4

5

**L&R**

1

2

3

4

5

**L&R**

1

2

3

4

5

**L&R**

1

2

3

4

5

**L&R**

1

2

3

4

5

**L&R**

1

2

3

4

5

**L&R**

1

2

3

4

5

**L&R**

1

2

3

4

5

**L&R**

1

2

3

4

5

**L&R**

1

2

3

4

5

**L&R**

1

2

3

4

5

**L&R**

1

2

3

4

5

**L&R**

1

2

3

4

5

**L&R**

1

2

3

4

5

**L&R**

1

2

3

4

5

**L&R**

1

2

3

4

5

**L&R**

1

2

3

4

5

**L&R**

1

2

3

4

5

**L&R**

1

2

3

4

5

**L&R**

1

2

3

4

5

**L&R**

1

2

3

4

5

**L&R**

1

2

3

4

5

**L&R**

1

2

3

4

5

**L&R**

1

2

3

4

5

**L&R**

1

2

3

4

5

**L&R**

1

2

3

4

5

**L&R**

1

2

3

4

5

**L&R**

1

2

3

4

5

**L&R**

1

2

3

4

5

**L&R**

1

2

3

4

5

**L&R**

1

2

3

4

5

**L&R**

1

2

3

4

5

**L&R**

1

2

3

4

5

**L&R**

1

2

3

4

5

**L&R**

1

2

3

4

5

**L&R**

1

2

3

4

5

**L&R**

1

2

3

4

5

**L&R**

1

2

3

4

5

**L&R**

1

2

3

4

5

**L&R**

1

2

3

4

5

**L&R**

1

2

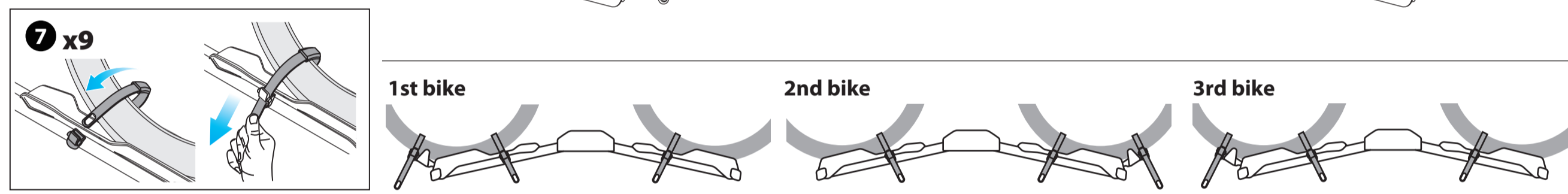
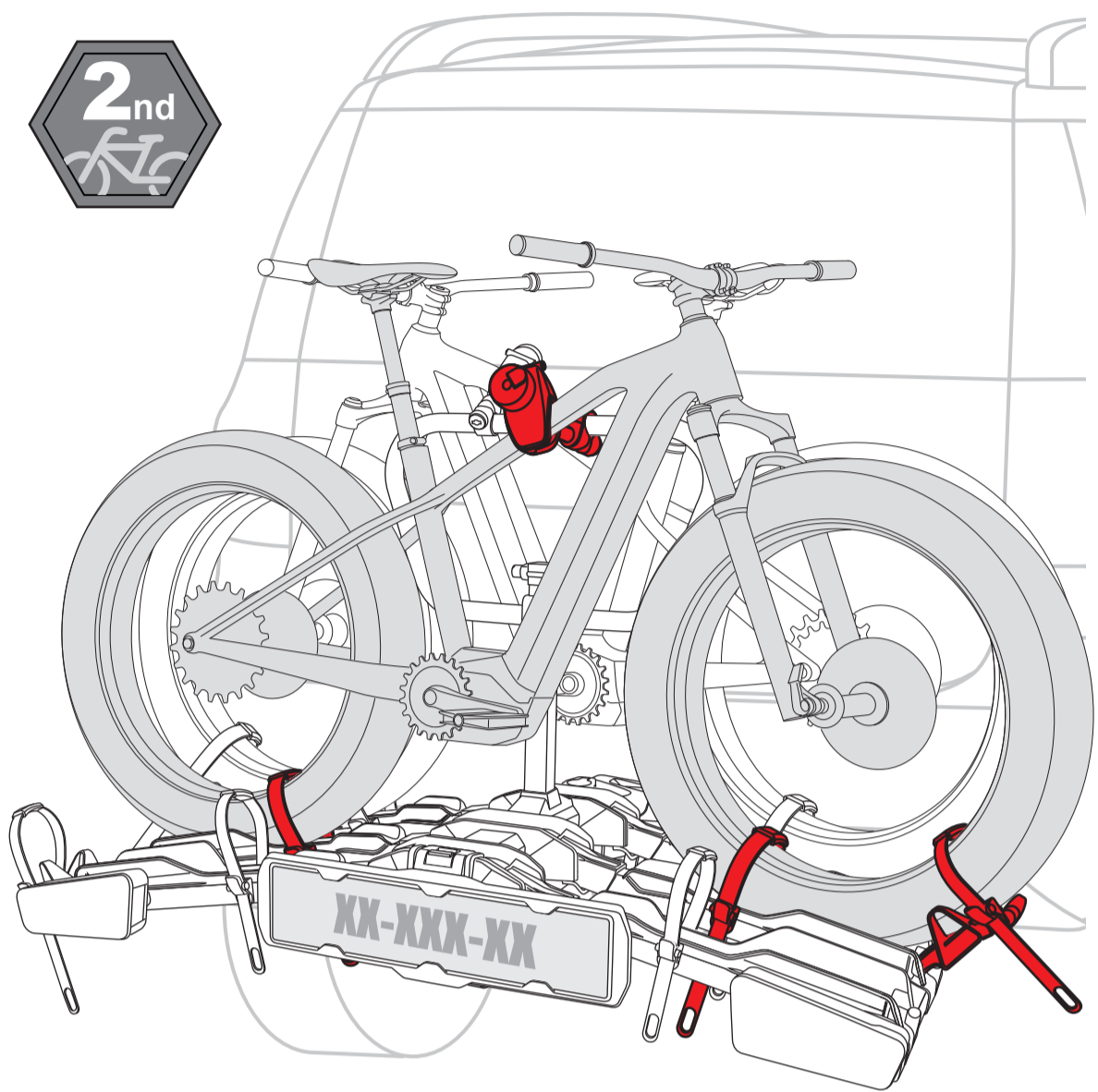
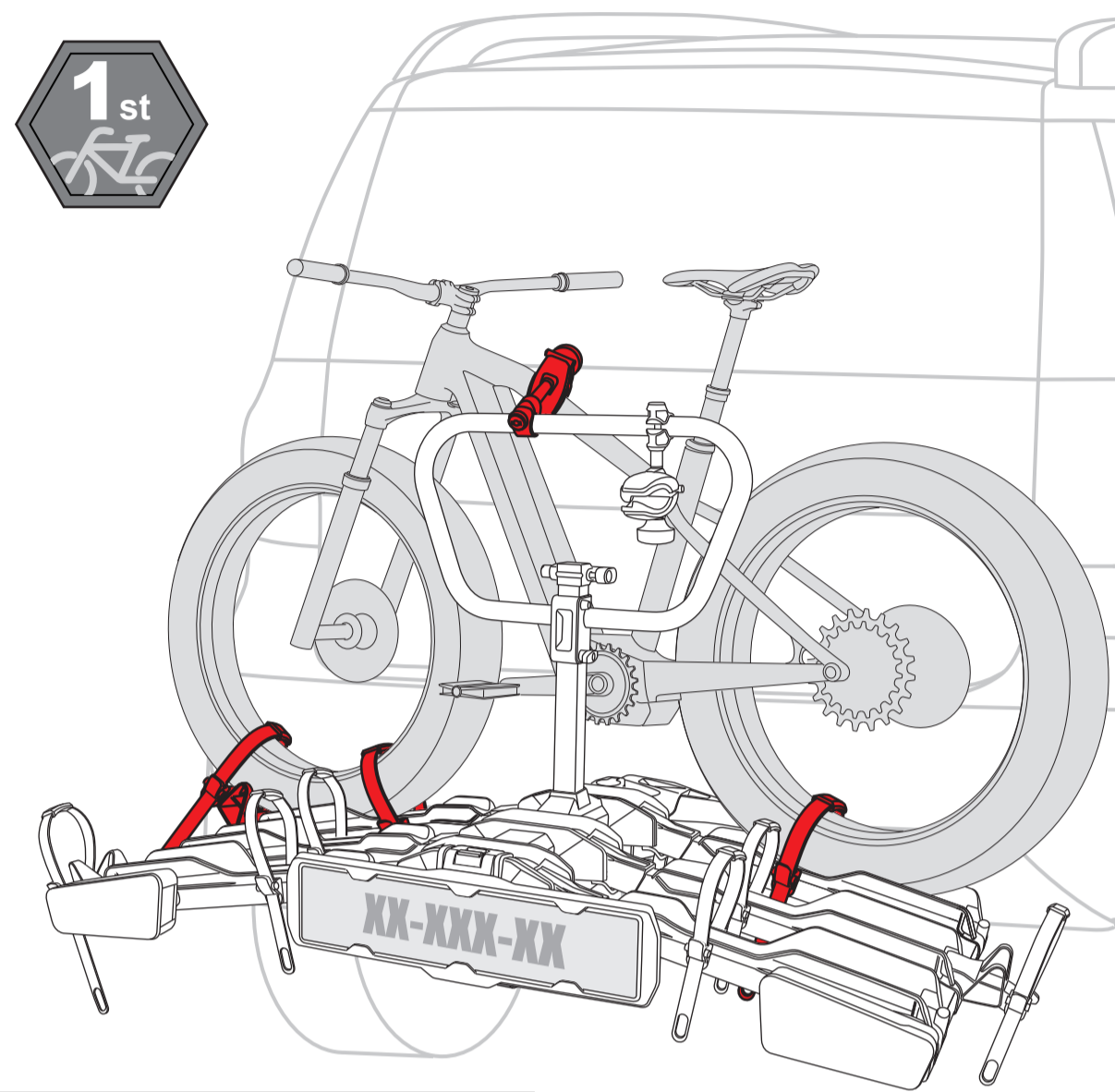
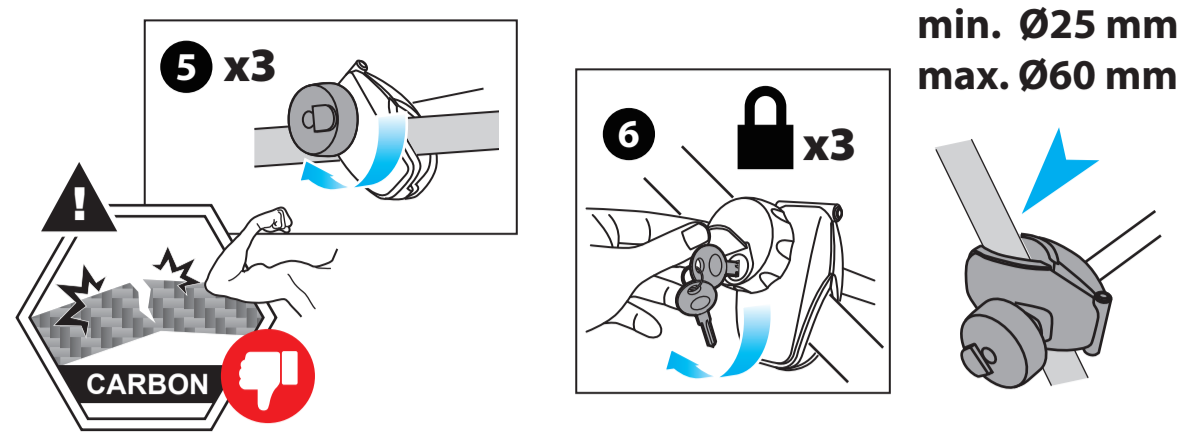
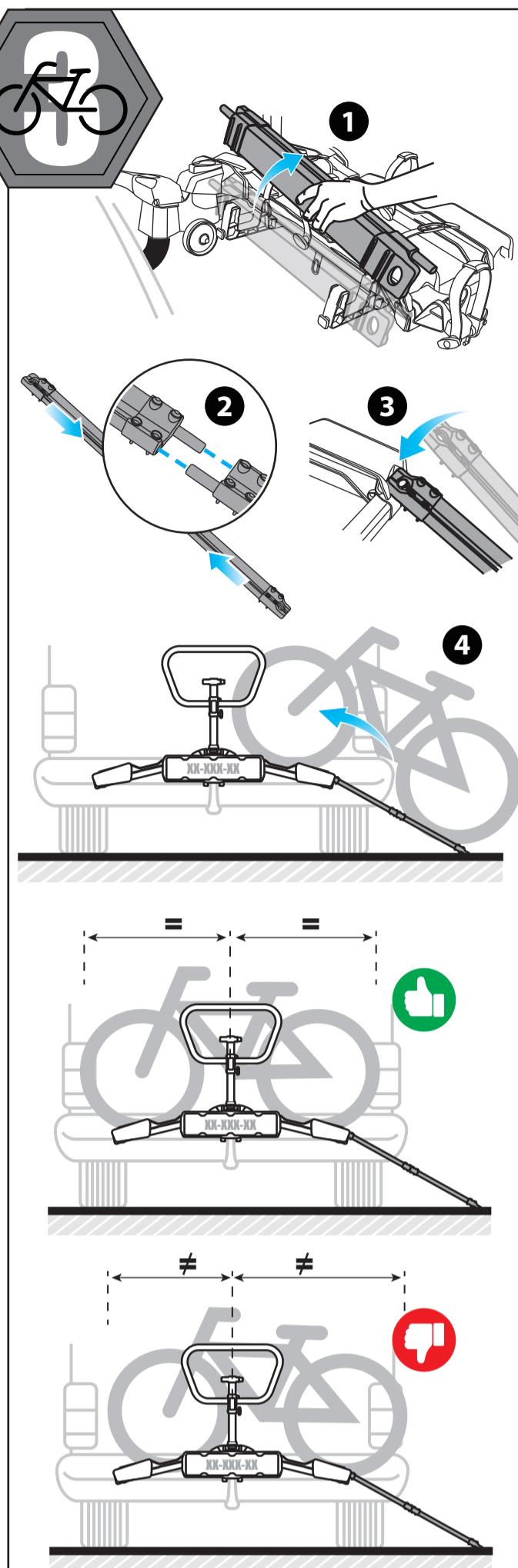
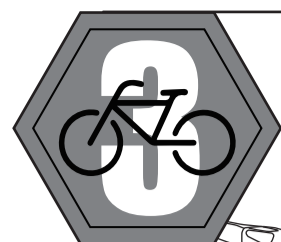
3

4

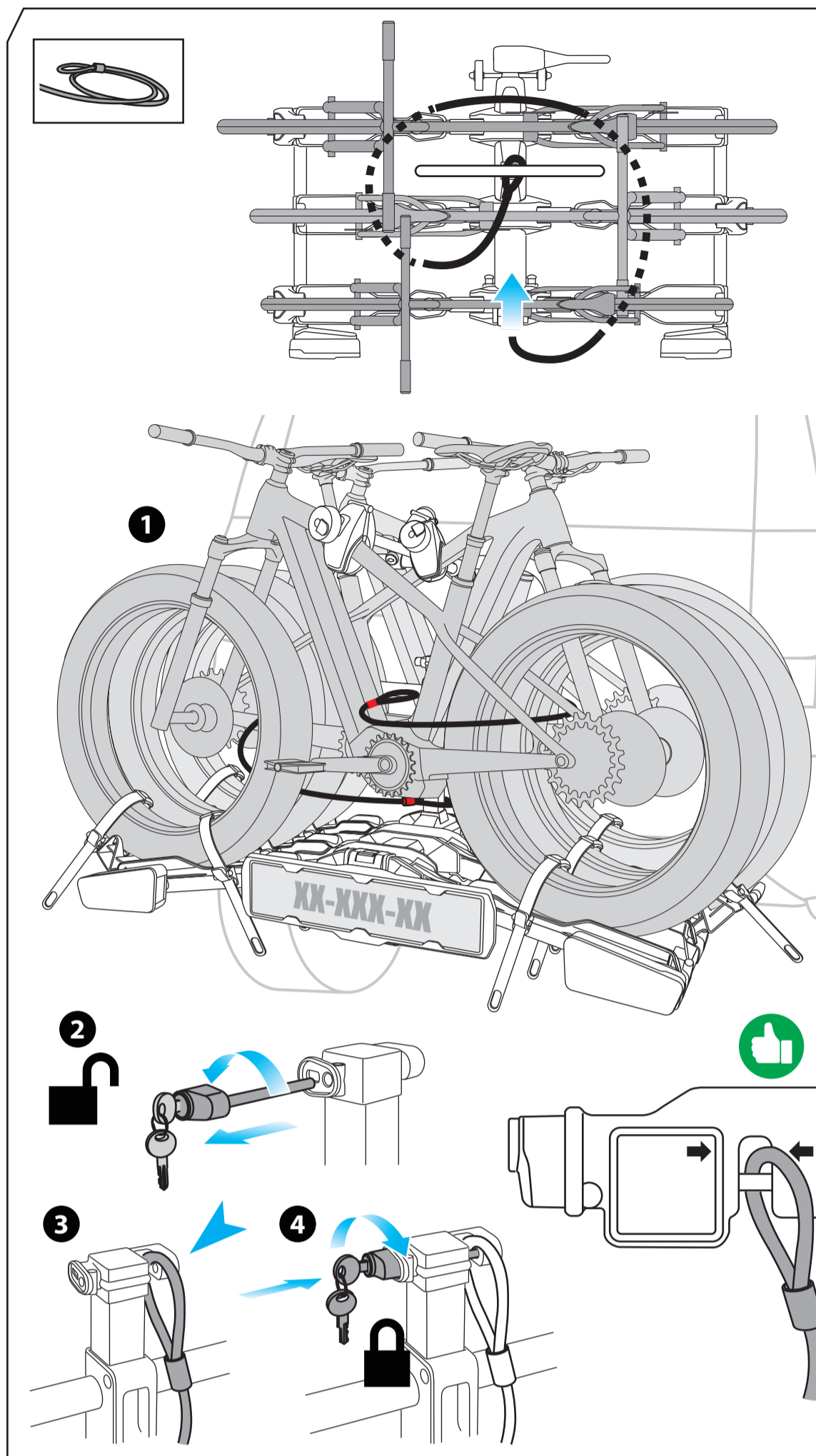
5

**L&R**</

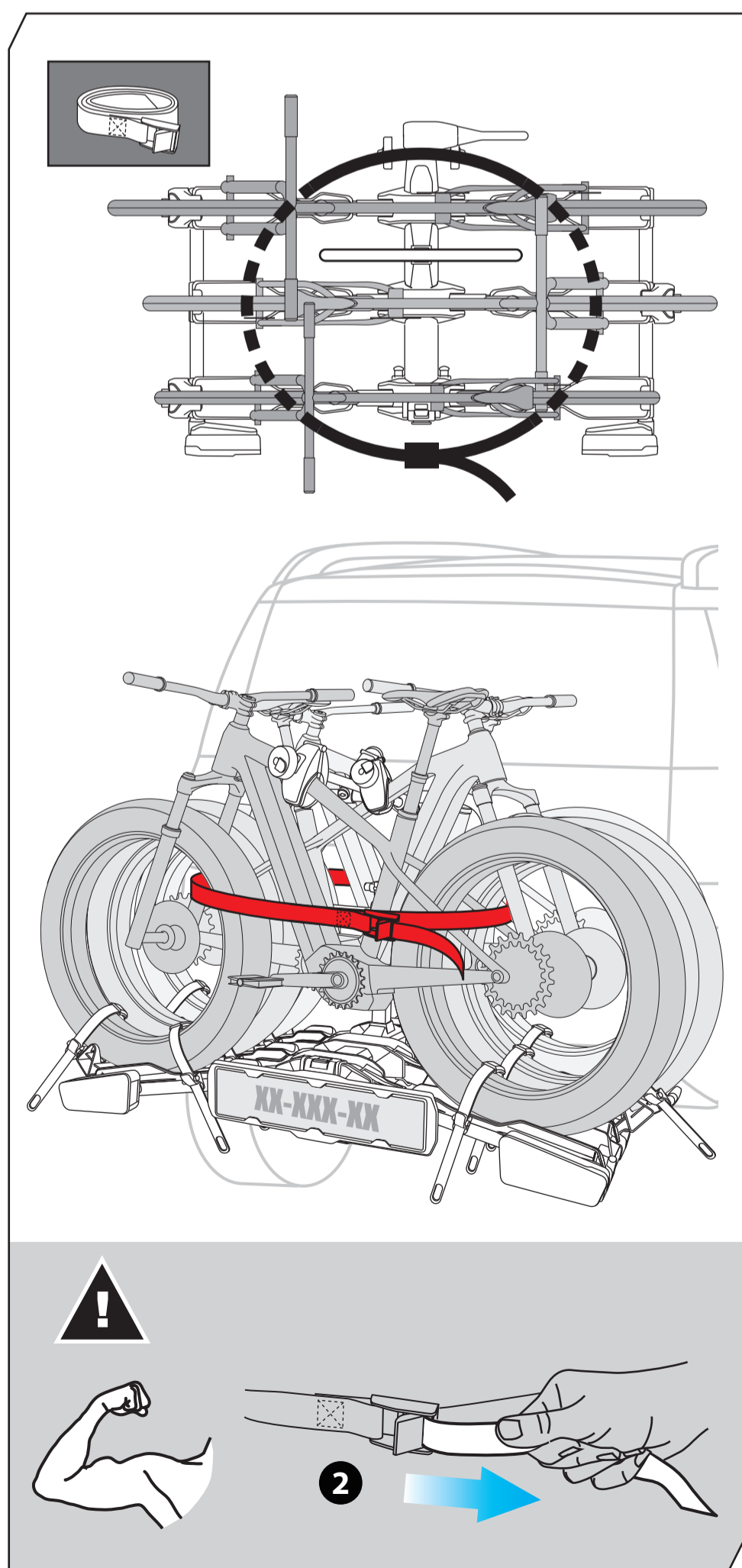
**STEP 7.**



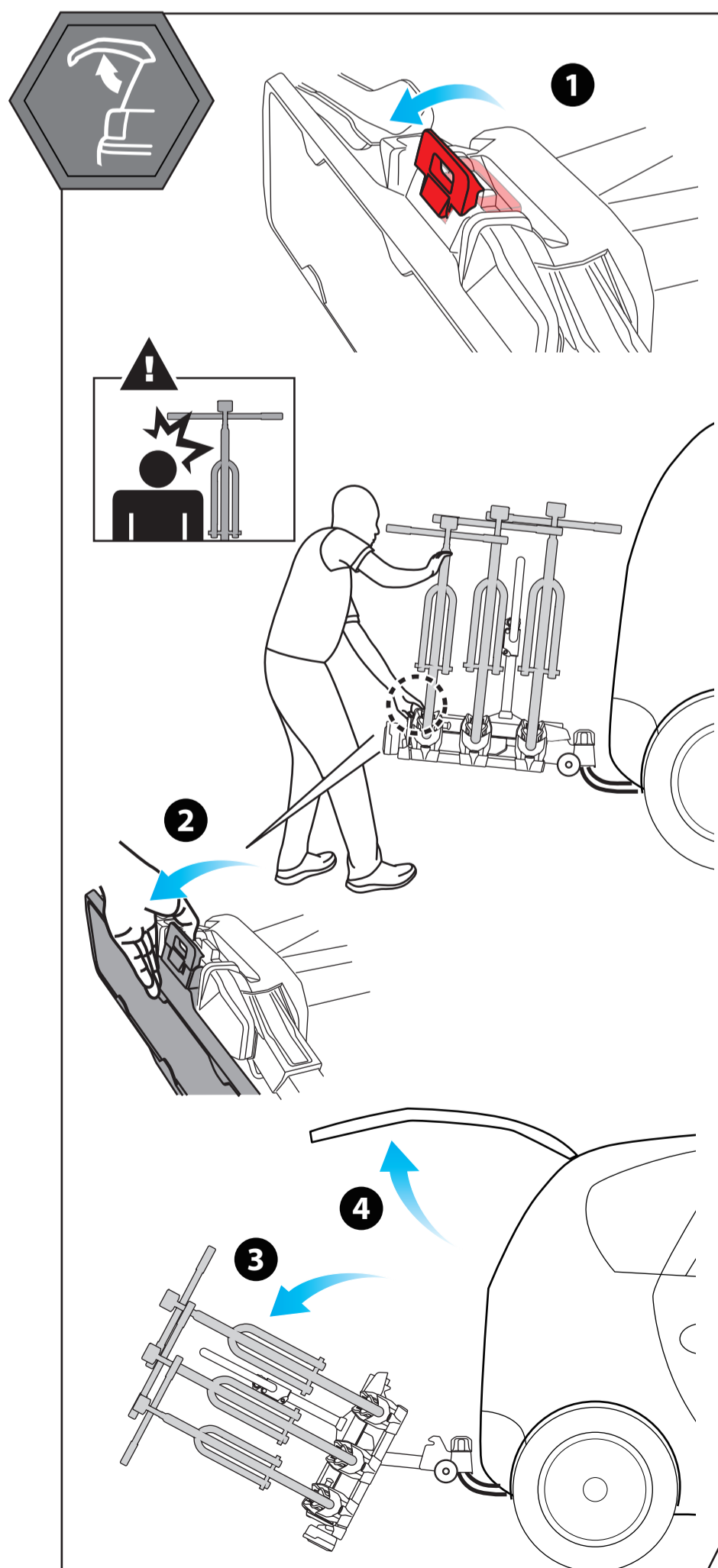
**STEP 8.**



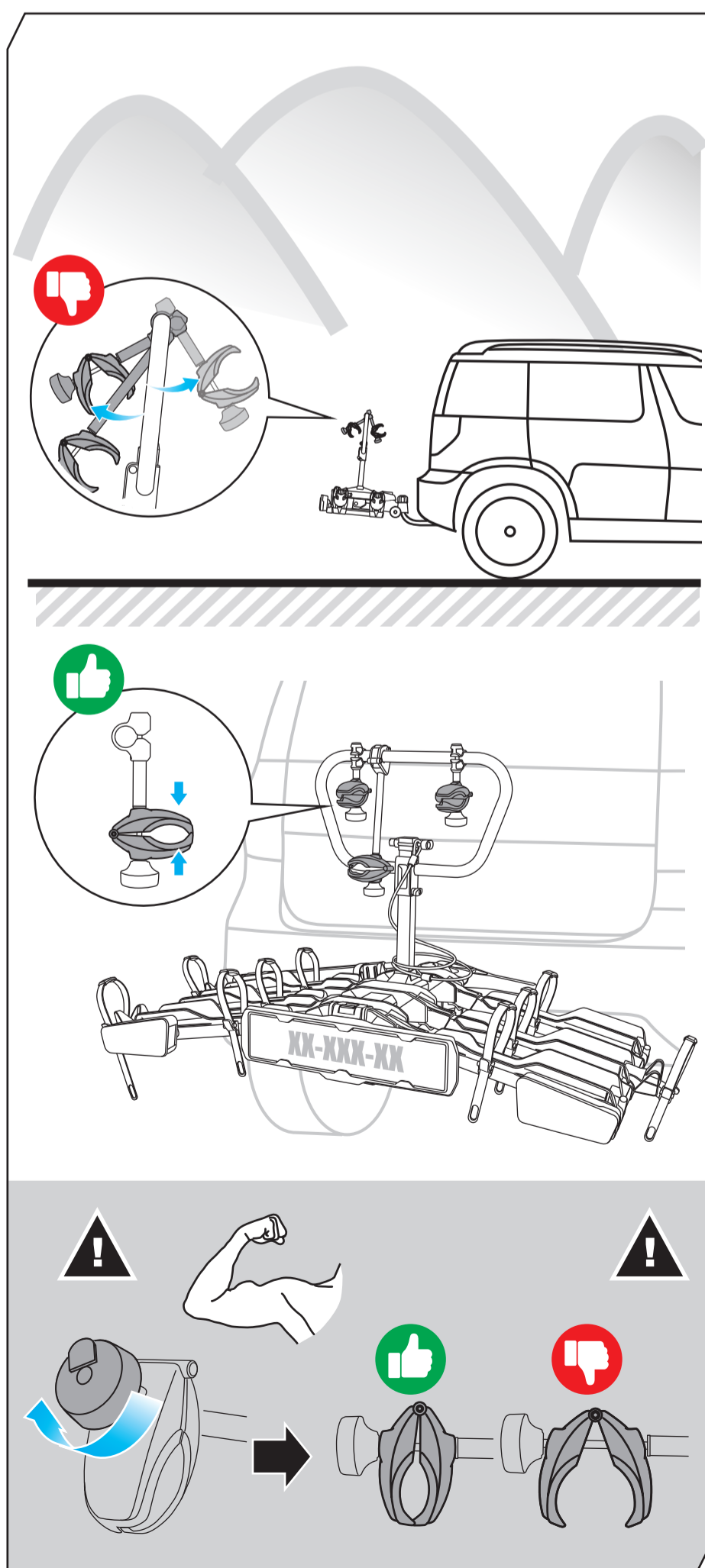
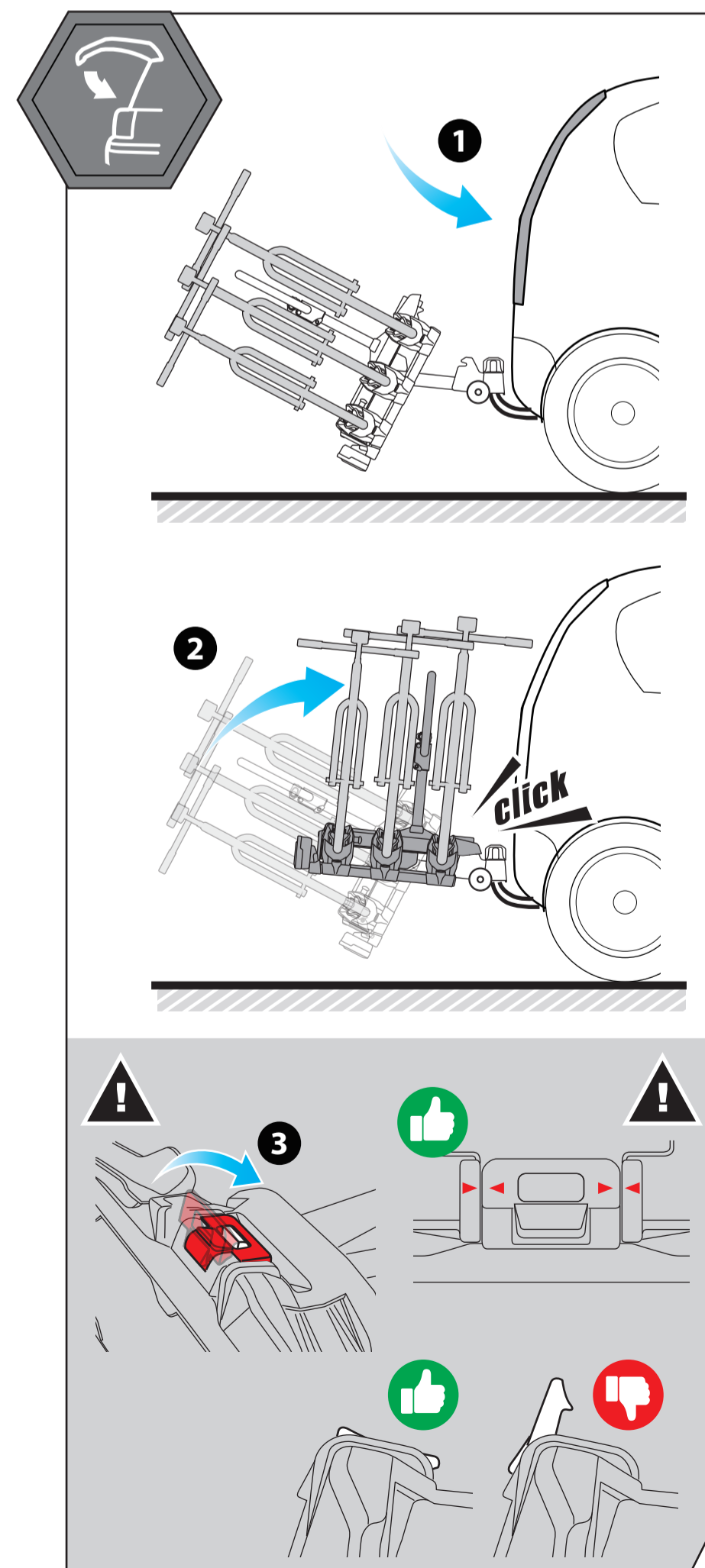
**STEP 9.**



**STEP 10.**



**STEP 11.**



**STEP 12.**

